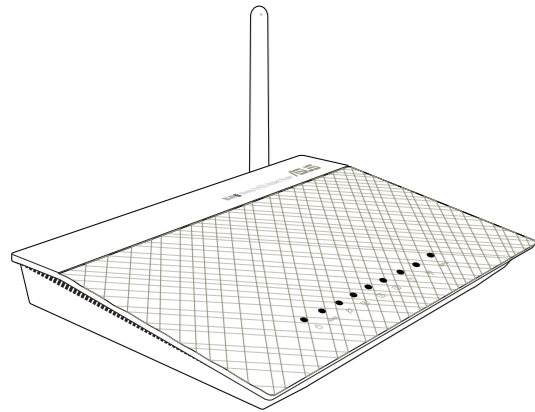




DSL-N10E

11N Wireless ADSL Modem Router



Quick Start Guide

NOTE: For more details and advanced configuration instructions, refer to the user manual included in the Utility CD.

EC Declaration of Conformity

ASUS
Inspiring Innovation - Persistent Perfection

We, the undersigned,
Manufacturer: ASUSTek COMPUTER INC.
Address, City: No. 150, LI-TE RD., PEITOU, TAIPEI 112, TAIWAN R.O.C.
Country: TAIWAN
Authorized representative in Europe: ASUS COMPUTER GmbH
Address, City: HARKORT STR. 21-23, 40880 RATINGEN
Country: GERMANY

declare the following apparatus:
Product name: Wireless N ADSL Modem Router
Model name: DSL-N10E

conform with the essential requirements of the following directives:
2004/108/EC-EMC Directive
 EN 55022:2006+A1:2007 EN 55024:1998+A1:2001+A2:2003
 EN 61000-3-2:2006+A2:2009 EN 61000-3-3:2008
 EN 55013:2001+A1:2003+A2:2006 EN 55020:2007

1999/5/EC-R & TTE Directive
 EN 300 328 V1.7.1(2006-10) EN 301 489-1 V1.8.1(2008-04)
 EN 62311:2008 EN 301 489-17 V2.1.1(2009-05)

2006/95/EC-LVD Directive
 EN 60950-1:2006/A11:2009/A1:2010

2009/125/EC-ErP Directive
 Regulation (EC) No. 1275/2008 Ver. 11121
 EN 62301:2005

CE marking
CE22800! (EC conformity marking)

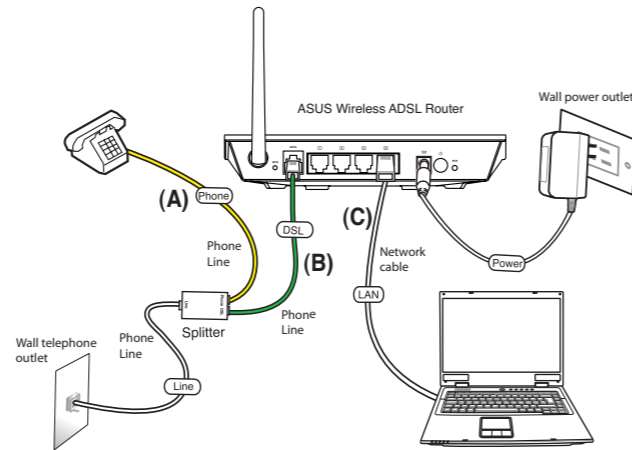
Position: CEO
 Name: **Jerry Shen**

 Signature: _____

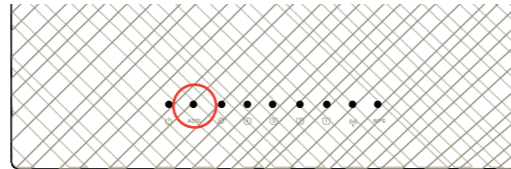
Declaration Date: Feb. 3, 2012
 Year to begin affixing CE marking: 2012

Setting up a Home Network

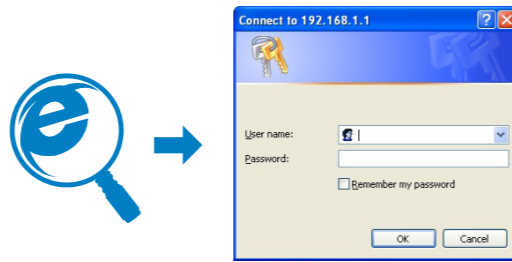
1. Connect your devices.



2. Before starting ADSL setting procedure, ensure that the ADSL indicator on DSL-N10E top panel become solid.

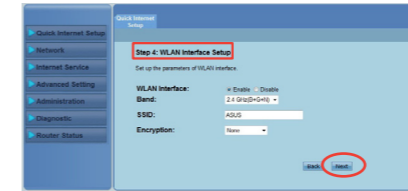
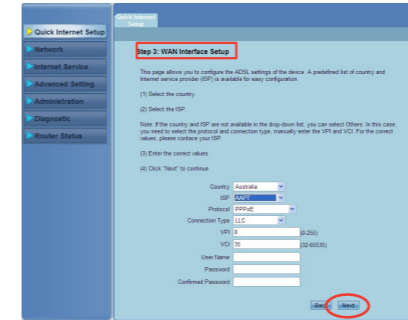
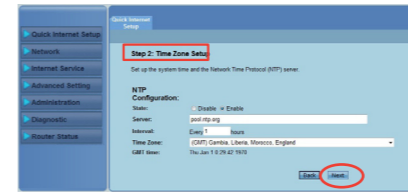
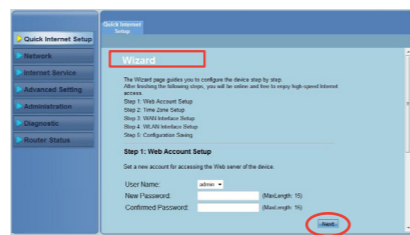


3. In your web browser, key in <http://192.168.1.1>. In the pop-up window, key in the user name and password (user name/password: admin/admin). The Quick Internet Setup (QIS) wizard appears.

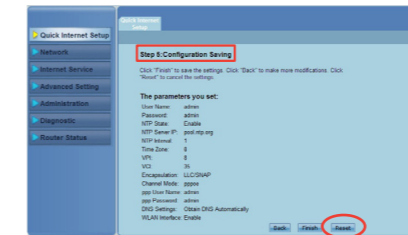


NOTE: If the QIS web page does not appear after you launched the web browser, disable the proxy settings on the web browser.

4. In the Quick Internet Setup (QIS) steps 1 to 4, fill in the necessary information in each page and click Next.



5. In Step 5: Configuration Saving page, click Finish to save the configuration settings and complete the setup.



- English**
1. Connect your devices.
 2. Before starting ADSL setting procedure, ensure that the ADSL indicator on DSL-N10E top panel become solid.
 3. In your web browser, key in <http://192.168.1.1>. In the pop-up window, key in the user name and password (user name/password: admin/admin). The Quick Internet Setup (QIS) wizard appears.
 - * If the QIS web page does not appear after you launched the web browser, disable the proxy settings on the web browser.
 4. In the Quick Internet Setup (QIS) steps 1 to 4, fill in the necessary information in each page and click Next.
 5. In Step 5: Configuration Saving page, click Finish to save the configuration settings and complete the setup.



- Русский**
1. Подключите Ваши устройства.
 2. Перед настройкой ADSL убедитесь, что индикатор ADSL, расположенный на верхней панели DSL-N10E, горит.
 3. В браузере введите <http://192.168.1.1>. Во появившемся окне введите имя пользователя и пароль (имя пользователя/пароль: admin/admin). Появится мастер быстрой настройки Интернет (QIS).
 - * Если QIS страница не появилась при запуске браузера, отключите использование прокси-сервера в браузере.
 4. В мастере быстрой настройки Интернет (QIS) выполните шаги с 1 по 4, заполнив необходимую информацию.
 5. На странице Step 5: Configuration Saving нажмите Finish для сохранения конфигурации и завершения настройки.
- Русским пользователям мы рекомендуем настроить ADSL с помощью утилиты ADSL Setting Wizard с компакт-диска.



- Deutsch**
1. Schließen Sie Ihre Geräte an.
 2. Bevor Sie die DSL-Einstellung beginnen, vergewissern Sie sich, dass Ihre DSL-Anzeige an der Frontseite des DSL-N10E leuchtet.
 3. Geben Sie in Ihren Webbrowser <http://192.168.1.1> ein. Geben Sie im daraufhin angezeigten Fenster den Benutzernamen und das Kennwort ein (Benutzername/Kennwort: admin/admin). Nun erscheint der Schnelleinstellungsassistent (QIS).
 - * Wenn die QIS-Seite nach dem Start des Webbrowsers nicht angezeigt wird, deaktivieren Sie bitte die Proxy-Einstellungen Ihres Webbrowsers.
 4. Geben Sie in den Schritten 1-4 des QIS auf jeder Seite die notwendigen Informationen ein und klicken Sie dann auf Weiter.
 5. In Schritt 5 Konfiguration speichern, klicken Sie auf Fertigstellen, um die Konfigurationseinstellungen zu speichern und die Einrichtung abzuschließen.



- Italiano**
1. Collegare i dispositivi.
 2. Prima di avviare la procedura di configurazione ADSL, assicurarsi che l'indicatore ADSL sul pannello superiore di DSL-N10E, sia acceso in modo continuo.
 3. Nel browser web, digitare <http://192.168.1.1>. Nella finestra a comparsa, inserire il nome utente e la password (nome utente/password: admin/admin). Appare il programma di configurazione guidata QIS (Quick Internet Setup).
 - * Se, dopo aver avviato il browser web, non appare la pagina web QIS, disattivare le impostazioni proxy sul browser.
 4. Durante i passaggi della configurazione 1-4 QIS (Quick Internet Setup), inserire le informazioni necessarie, richieste di volta in volta, e poi premere Next.
 5. Al punto 5 (pagina Configuration Saving), premere Finish (Fine) per salvare le impostazioni e completare il processo di configurazione.



- Lietuvių**
1. Prijunkite prietaisus.
 2. Prieš pradėdami ADSL nustatymo procedūrą, palaukite, kol ADSL indikatorius ant prietaiso DSL-N10E viršutinio skydelio nebemirgės ir švies vientisa šviesa.
 3. Naršyklėje įveskite adresą <http://192.168.1.1>. Iškylandčiame lange įveskite vartotojo vardą ir slaptažodį (vartotojo vardas / slaptažodis: admin / admin). Pasirodo sparčiojo interneto sąrankos (QIS) vedlys.
 - * Jei paleidus interneto naršyklę neatsiveria QIS puslapis, dezaktyvuokite interneto naršyklės „Proxy“ nustatymus.
 4. 1 ir 4 sparčiojo interneto sąrankos (QIS) žingsniuose kiekviename puslapyje užpildykite reikiamą informaciją ir spustelėkite „Next“ (Kitas).
 5. 5 žingsnyje: konfigūravimo įrašymo lape spustelėkite „Finish“ (Baigti), kad įrašytumėte konfigūravimo nuostatas ir užbaigtumėte sąranką.



- Latviski**
1. Savienojiet savas ierices.
 2. Pirms ADSL iestatīšanas procesa pārbaucieties, ka ADSL indikatorus uz DSL-N10E augšas paneļa pārstāj mirgot.
 3. Interneta pārlūkprogrammā ievadiet <http://192.168.1.1>. Uznrīstojājā logā ievadiet lietotājvārdu un paroli (lietotāja vārds/parole: admin/admin). Parādās ātrās interneta iestatīšanas (QIS) vednis.
 - * Ja pēc timekļa pārlūka palaišanas QIS timekļa lapa neparādās, atspējojiet proxy iestatījumus timekļa pārlūkā.
 4. Ātrās interneta iestatīšanas (QIS) 1.-4. soļos aizpildiet nepieciešamo informāciju katrā lapā un nospiediet Next (Tālāk).
 5. 5. soli: Konfigurācijas saglabāšanas lapā nospiediet Finish (Pabeigt), lai saglabātu konfigurācijas iestatījumus un pabeigtu iestatīšanu.



- Português**
1. Ligue os dispositivos.
 2. Antes de iniciar o procedimento de configuração ADSL, certifique-se de que o indicador de ADSL no painel superior do DSL-N10E fica fixo.
 3. No navegador Web, introduza o endereço <http://192.168.1.1>. Na janela apresentada, introduza o nome de utilizador e a palavra-passe (nome de utilizador/palavra-passe: admin/admin). Será apresentado o assistente de Configuração Rápida de Internet (QIS).
 - * Se a página Web da função QIS não for exibida ao iniciar o navegador Web, desactive as definições de proxy do navegador Web.
 4. Nos passos 1 a 4 da Configuração Rápida de Internet (QIS), preencha as informações necessárias em cada página e clique em Seguinte.
 5. No Passo 5: Página para guardar a configuração, clique em Concluir para guardar as definições e concluir a configuração.



- Română**
1. Conectați dispozitivele dvs.
 2. Înainte de a începe procedura de setare a conexiunii ADSL, asigurați-vă că indicatorul ADSL de pe panoul de sus DSL-N10E este aprins constant.
 3. În browserul Web, introduceți adresa <http://192.168.1.1>. În fereastra pop-up, tasteți numele de utilizator și parola (nume utilizator/parola: admin/admin). Se afișează Expertul Configurare rapidă Internet (QIS – Quick Internet Setup).
 - * Dacă pagina web QIS nu apare după ce ați lansat browserul web, dezactivați setările proxy ale browserului web.
 4. În QIS (Configurare rapidă Internet), pași 1-4, completați informațiile necesare de pe fiecare pagină și faceți clic pe Next (Următorul).
 5. La Pasul 5: Pagina Configuration Savings (Salvare configurații), faceți clic pe Finish (Finalizare) pentru a salva setările configurației și pentru a finaliza configurația.



Polski

- Podłącz swoje urządzenia.
- Przed uruchomieniem procedury ustawień ADSL należy się upewnić, że wskaźnik ADSL na górnym panelu DSL-N10E świeci stałym światłem.
- W przeglądarce sieci web, wprowadź http://192.168.1.1. W pomocniczym oknie, wprowadź nazwę użytkownika i hasło (nazwa użytkownika/hasło: admin/admin). Pojawi się kreator QIS (Szybkie ustawienia Internetu).
 - Jeżeli strona sieciowa QIS nie jest wyświetlana po uruchomieniu przeglądarki sieciowej, należy wyłączyć ustawienia proxy przeglądarki sieciowej.
- W czynnościach 1 do 4 kreatora QIS (Szybkie ustawienia Internetu), wypełnij na każdej stronie niezbędne informacje i kliknij Next (Dalej).
- W czynności 5: strona Configuration Saving (Zapisywanie konfiguracji), kliknij Finish (Zakończ), aby zapisać ustawienia konfiguracji i dokończyć.



Español

- Conecte sus dispositivos.
- Antes de iniciar el procedimiento de configuración de la conexión ADSL, asegúrese de que el indicador ADSL situado en el panel superior del router DSL-N10E se encuentre encendido.
- En el explorador web, escriba http://192.168.1.1. En la ventana emergente, escriba el nombre de usuario y la contraseña (ambos son admin). Aparecerá el asistente Configuración rápida de Internet (QIS).
 - Si la página web de QIS no aparece tras abrir el explorador web, deshabilite la configuración proxy del explorador web.
- En los pasos 1 a 4 del asistente Configuración rápida de Internet (QIS), rellene la información necesaria de cada página y haga clic en Siguiente.
- En el paso 5: página Guardar configuración, haga clic en Finalizar para guardar la configuración y completar la configuración.



Bahasa Indonesia

- Sambungkan perangkat.
- Sebelum menjalankan prosedur pengaturan ADSL, pastikan indikator ADSL pada panel atas DSL-N10E menyala pekat.
- Di browser Web, masukkan http://192.168.1.1. Pada halaman yang muncul, masukkan nama pengguna dan sandi (nama pengguna/sandi: admin/admin). Wizard QIS (Konfigurasi Internet Cepat) muncul di layar.
 - Jika halaman Web QIS tidak muncul di layar setelah Anda mengaktifkan browser Web, nonaktifkan pengaturan proxy browser Web Anda.
- Pada langkah 1 hingga 4 QIS (Konfigurasi Internet Cepat), masukkan informasi yang diperlukan di setiap halaman, lalu klik Berikutnya.
- Pada Langkah 5: Halaman Penyimpanan Konfigurasi, klik Selesai untuk menyimpan pengaturan konfigurasi dan menyelesaikan konfigurasi.



ไทย

- เชื่อมต่ออุปกรณ์ของคุณ
- ก่อนที่จะเริ่มกระบวนการตั้งค่า ADSL, ให้แน่ใจว่าไฟแสดงสถานะ ADSL บนแผงด้านบนของ DSL-N10E ติดอยู่เต็มที่
- ในเว็บเบราว์เซอร์ของคุณ, ป้อน, http://192.168.1.1 ในหน้าต่างที่แสดงขึ้น ให้ป้อนชื่อผู้ใช้ และรหัสผ่าน (ชื่อผู้ใช้/รหัสผ่าน: admin/admin) คำช่วยสร้างการตั้งค่าอินเทอร์เน็ตควม (QIS) จะปรากฏขึ้น
 - ถ้าเว็บเพจ QIS ไม่ปรากฏขึ้นหลังจากที่คุณเปิดเว็บเบราว์เซอร์ ให้ปิดการทำงานของการ์ดค่า proxy ของเว็บเบราว์เซอร์.
- ในขั้นตอนที่ 1 ถึง 4 ของ การตั้งค่าอินเทอร์เน็ตควม (QIS), ให้กรอกข้อมูลที่จำเป็นในแต่ละหน้า และคลิก Next (ถัดไป)
- ในขั้นตอนที่ 5: หน้า การบันทึกการตั้งค่า, คลิก Finish (เสร็จ) เพื่อบันทึกการตั้งค่าการกำหนดค่า และเสร็จสิ้นกระบวนการตั้งค่า



Português do Brasil

- Conecte seus dispositivos.
- Antes de iniciar o procedimento de configuração do ADSL, assegure-se de que o indicador do ADSL no painel superior DSL-N10E está constante.
- No seu navegador de web, digite http://192.168.1.1. Na janela emergente, digite o nome do usuário e a senha (nome do usuário/senha: admin/admin). O assistente de Instalação Rápida da Internet (QIS) aparecerá.
 - * Se a página de web QIS não aparece depois de iniciado o navegador de web, desative as configurações proxy no navegador de web.
- Nos passos 1 a 4 da Instalação Rápida da Internet (QIS), preencha a informação necessária em cada página e clique Seguinte.
- Em Passo 5: página de Salvamento da Configuração, clique Concluir para salvar as configurações e completar a instalação.



Українська

- Підключіть пристрої.
- Перш ніж починати процедуру налаштування ADSL, будь ласка, переконайтеся, що індикатор ADSL на верхня панелі DSL-N10E не блимає.
- Введіть у браузер http://192.168.1.1. У тимчасовому вікні введіть ім'я користувача і пароль (ім'я користувача/пароль: admin/admin). З'являється програма-помічник швидкого налаштування Інтернет (QIS).
 - * Якщо веб-сторінка QIS не з'являється після того, як Ви запустили веб-браузер, вимкніть налаштування проху веб-браузера.
- У кроках від 1 до 4 програми-помічника швидкого налаштування Інтернет (QIS) введіть необхідну інформацію на кожній сторінці, а потім клацніть по Next (Далі).
- На кроці 5: Сторінка Configuration Saving (Збереження конфігурація). Клацніть по (Завершити), щоб зберегти налаштування конфігурації і виконайте налаштування.



Français

- Connectez vos périphériques.
- Avant de lancer la procédure de configuration ADSL, assurez-vous que l'indicateur lumineux ADSL situé sur le dessus du DSL-N10E est allumé.
- Dans la barre d'adresse de votre navigateur Internet, entrez http://192.168.1.1. Dans la fenêtre contextuelle apparaissant à l'écran, entrez le nom d'utilisateur et le mot de passe de connexion (admin/admin). L'assistant de configuration rapide s'exécute.
 - * Si l'Assistant de configuration Internet ne s'exécute pas au démarrage de votre exploreur Web, désactivez le serveur proxy.
- Étape 1 à 4 : configurez les paramètres de connexion nécessaires puis cliquez sur **Next** (Suivant).
- Étape 5 : cliquez sur **Finish** (Terminé) pour enregistrer les paramètres et compléter la configuration de votre connexion.



Eesti

- Ühendage seadmed.
- Enne ADSL-i häälestusprotseduuri käivitamist veenduge, et ADSL-i indikaator DSL-N10E ülapaneeilil helendab pidevalt.
- Veebibrauseris sisestage aadressiribale http://192.168.1.1. Hüpikaknas sisestage kasutajanimi ja parool (kasutajanimi/parool: admin/admin). Ilmub viisard Quick Internet Setup (Kiirhäälestus Interneti kaudu, QIS).
 - * Kui pärast veebibrauseri käivitamist QIS1 veebileht ei ilmu, siis keelake veebibrauseri puhvrisätted.
- Viisardis Quick Internet Setup (QIS) läbige sammud 1 kuni 4, sisestades igal lehel vajalikud andmed, ja klõpsake nuppu Next (Edasi).
- Sammus 5: Lehel Configuration Saving (Konfiguratsiooni salvestamine) salvestage konfigureerimissätted ja lõpetage häälestus.

Notices

ASUS Recycling/Takeback Services

ASUS recycling and takeback programs come from our commitment to the highest standards for protecting our environment. We believe in providing solutions for you to be able to responsibly recycle our products, batteries, other components, as well as the packaging materials. Please go to **http://csr.asus.com/english/Takeback.htm** for the detailed recycling information in different regions.

REACH

Complying with the REACH (Registration, Evaluation, Authorisation, and Restriction of Chemicals) regulatory framework, we published the chemical substances in our products at ASUS REACH website at **http://csr.asus.com/english/REACH.htm**

Federal Communications Commission Statement


This device complies with Part 15 of the FCC Rules. Operation is subject to the following two conditions:

- This device may not cause harmful interference.
- This device must accept any interference received, including interference that may cause undesired operation.

This equipment has been tested and found to comply with the limits for a class B digital device, pursuant to part 15 of the FCC Rules. These limits are designed to provide reasonable protection against harmful interference in a residential installation.

This equipment generates, uses and can radiate radio frequency energy and, if not installed and used in accordance with the instructions, may cause harmful interference to radio communications. However, there is no guarantee that interference will not occur in a particular installation. If this equipment does cause harmful interference to radio or television reception, which can be determined by turning the equipment off and on, the user is encouraged to try to correct the interference by one or more of the following measures:

- Reorient or relocate the receiving antenna.
- Increase the separation between the equipment and receiver.
- Connect the equipment into an outlet on a circuit different from that to which the receiver is connected.
- Consult the dealer or an experienced radio/TV technician for help.

	WARNING: Any changes or modifications not expressly approved by the party responsible for compliance could void the user’s authority to operate the equipment.
---	---

FCC REQUIREMENTS

This equipment complies with Part 68 of the FCC rules and the requirements adopted by the ACTA. On the bass unit of this equipment is a label that contains, among other information, a product identifier in the format US: **ASUDL01BDSLN10E**. If requested, this number must be provided to the telephone company.

The REN is used to determine the number of devices that may be connected to a telephone line. Excessive RENs on a telephone line may result in the devices not ringing in response to an incoming call. In most but not all areas, the sum of RENs should not exceed five (5.0). To be certain of the number of devices that may be connected to a line, as determined by the total RENs, contact the local telephone company. For products approved after July 23, 2001, the REN for this product is part of the product identifier that has the format US: **ASUDL01BDSLN10E**. The digits represented by **01** are the REN without a decimal point (e.g., 03 is a REN of 0.3). For earlier products, the REN is separately shown on the label.

If your equipment causes harm to the telephone network, the telephone company may discontinue your service temporarily. If possible, they will notify you in advance. But if advance notice is not practical, you will be notified as soon as possible. You will be informed of your right to file a complaint with the FCC. Your telephone company may make changes in its facilities, equipment, operations or procedures that could affect the proper functioning of your equipment. If they do, you will be notified in advance to give you an opportunity to maintain uninterrupted telephone service.

If you experience trouble with this telephone equipment, please contact the following address and phone number for information on obtaining service or repairs. The telephone company may ask that you disconnect this equipment from the network until the problem has been corrected or until you are sure that the equipment is not malfunctioning. This equipment may not be used on coin service provided by the telephone company. Connection to party lines is subject to state tariffs.

Company: ASUS Computer International
Address: 800 Corporate Way, Fremont, California 94539, USA

Tel no.: +1-510-739-3777

A plug and jack used to connect this equipment to the premises wiring and telephone network must comply with the applicable FCC Part 68 rules and requirements adopted by the ACTA. A compliant telephone cord and modular plug is provided with this product. It is designed to be connected to a compatible modular jack that is also compliant. See installation instructions for details.

Declaration of Conformity for R&TTE directive 1999/5/EC

Essential requirements – Article 3

Protection requirements for health and safety – Article 3.1a

Testing for electric safety according to EN 60950-1 has been conducted. These are considered relevant and sufficient.

Protection requirements for electromagnetic compatibility – Article 3.1b

Testing for electromagnetic compatibility according to EN 301 489-1 and EN 301 489-17 has been conducted. These are considered relevant and sufficient.

Effective use of the radio spectrum – Article 3.2

Testing for radio test suites according to EN 300 328- 2 has been conducted. These are considered relevant and sufficient.

CE Mark Warning

This is a Class B product, in a domestic environment, this product may cause radio interference, in which case the user may be required to take adequate measures.

Operation Channels: Ch1~11 for N. America, Ch1~14 Japan, Ch1~13 Europe (ETSI)

Area	Hotline Number	Support Languages	Working Hour	Working Day
Australia	1300-2787-88	English	8:00-20:00	Mon. to Fri.
Austria	0043-820240513	German	9:00-18:00	Mon. to Fri.
Belgium	0032-78150231	Dutch /French	9:00-17:00	Mon. to Fri.
China	400-620-6655	Simplified Chinese	9:00-18:00	Mon. to Sun.
Denmark	0045-3832-2943	Denish/English	9:00-17:00	Mon. to Fri.
Finland	00358-9693-7969	Finnish/English/Swedish	10:00-18:00	Mon. to Fri.
France	0033-170949400	France	9:00-17:45	Mon. to Fri.
Greece	00800-44-14-20-44	Greek	9:00-13:00, 14:00-18:00	Mon. to Fri.
			10:00-20:00	Mon. to Fri.
Hong Kong	3582-4770	Cantonese/Chinese/English	10:00-17:00	Sat.
Ireland	0035-31890719918	English	9:00-17:00	Mon. to Fri.
Italy	199-400089	Italian	9:00-13:00 14:00-18:00	Mon. to Fri.
Japan	0800-123-2787	Japanese	9:00-18:00 9:00-17:00	Mon. to Fri. Sat. to Sun.
Malaysia	+603 2148 0827 (Check Repair Detail Status Only) +603-6279-5077	Bahasa Malayu/English	10:00-19:00	Mon. to Fri.
Netherlands / Luxembourg	0031-591-570290	Dutch / English	9:00-17:00	Mon. to Fri.
New Zealand	0800-278-788 / 0800-278-778	English	9:00-17:00	Mon. to Fri.
Norway	0047-2316-2682	Norwegian /English	9:00-17:00	Mon. to Fri.
Philippine	+632-636 8504; 180014410573	English	9:00-18:00	Mon. to Fri.
Poland	00225-718-033; 00225-718-040	Polish	9:00-17:00 8:30-17:30	Mon. to Fri.
Portugal	707-500-310	Portuguese	9:00-17:00	Mon. to Fri.
Russia	+8-800-100-ASUS; +7-495-231-1999	Russian/ English	9:00-18:00	Mon. to Fri.
Singapore	+65-6720-3835 (Check Repair Detail Status Only) -66221701	English	11:00-19:00	Mon. to Fri.
Slovak	00421-232-162-621	Czech	8:00-17:00	Mon. to Fri.
Spain	902-88-96-88	Spanish	9:00-18:00	Mon. to Fri.
Sweden	0046-8587-6940	Swedish/ English	9:00-17:00	Mon. to Fri.
	0041-848111010	German/French	9:00-18:00	Mon. to Fri.
Switzerland	0041-848111014	French	9:00-17:45	Mon. to Fri.
	0041-848111012	Italian	9:00-17:00	Mon. to Fri.
Taiwan	0800-093-456; 02-81439000	Traditional Chinese	9:00-12:00; 13:30-18:00	Mon. to Fri.
Thailand	+662-679-8367 -70; 001 800 852 5201	Thai/English	9:00-18:00	Mon. to Fri.
Turkey	+90-216-524-3000	Turkish	09:00-18:00	Mon. to Fri
United Kingdom	0044-870-1208340; 0035-31890719918	English	9:00-17:00	Mon. to Fri.
			8:30am-12:00am EST (5:30am-9:00pm PST)	Mon. to Fri.
USA/Canada	1-812-282-2787	English	9:00am-6:00pm EST (6:00am-3:00pm PST)	Sat. to Sun.

Visit ASUS website for more information: http://support.asus.com

Manufacturer

ASUSTeK Computer Inc.

Tel: +886-2-2894-3447

Address: No. 150, LI-TE RD., PEITOU, TAIPEI 112, TAIWAN

Authorised representative in Europe

ASUS Computer GmbH

Address: HARKORT STR. 21-23, 40880 RATINGEN, GERMANY

Authorised distributors in Turkey

BOGAZICI BIL GISAYAR SAN. VE TIC. A.S.

Tel: +90 212 3311000

Address: AYAZAGA MAH. KEMERBURGAZ CAD. NO.10 AYAZAGA/ISTANBUL

CIZGI Elektronik San. Tic. Ltd. Sti.

Tel: 0090 2123567070

Address: CEMAL SURURI CD. HALIM MERIC IS MERKEZI No:15/C D: 5-6 34394 MECIDIYEKOY/ISTANBUL

EEE Yönetmeliğine Uygundur.