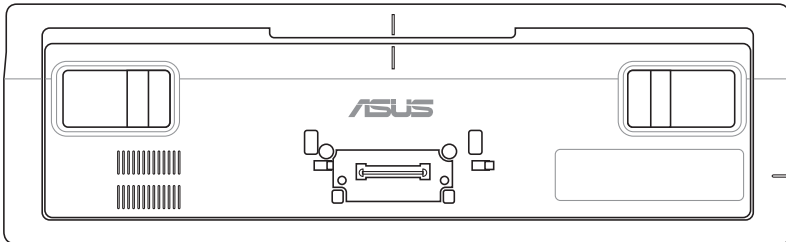


# Power Station II V2.0 User Manual



## Power Station

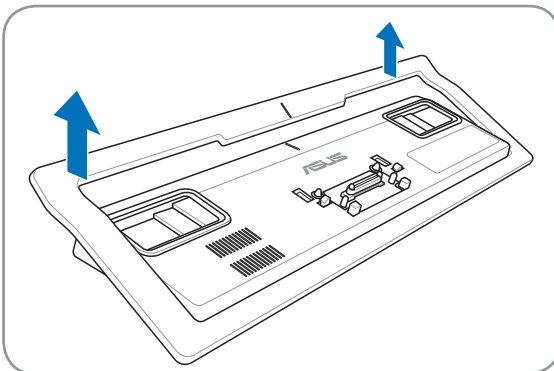
The Power Station allows quick connection and disconnection to all your desktop computer peripherals. Dock your Notebook PC to expand its capabilities by emulating a powerful desktop computer when you are in your office or at home. Quickly detach your Notebook PC for instant portability.

### Docking the Notebook PC

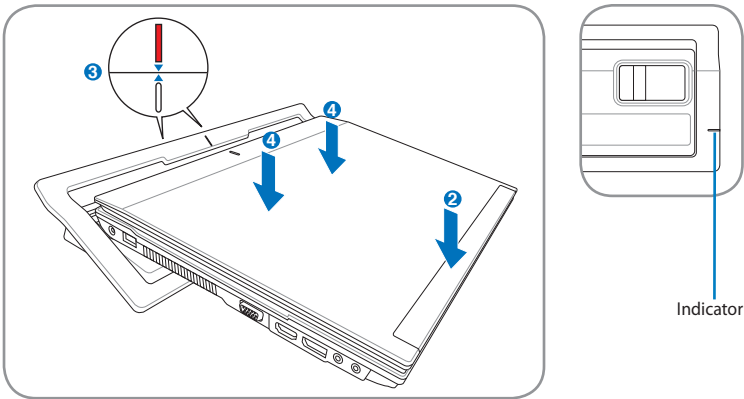


- Ensure the power station's power adapter is connected and has power before docking the Notebook PC.
- Ensure to unplug the Notebook PC's own power adapter.

1. Lift the lever on the power station.



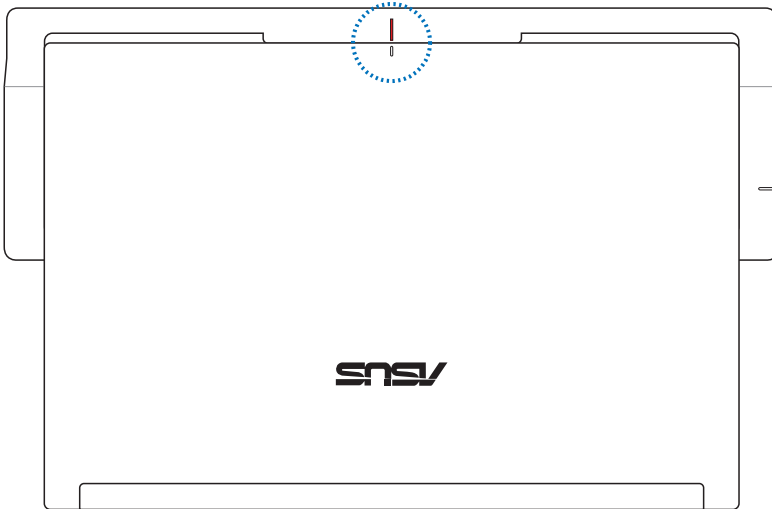
2. Set the front of the Notebook PC down first.
3. Align the marks on the Notebook PC & station.
4. Press down the Notebook PC until the lever on the station is down, and a clicking sound indicates the successful installation. The power station docking indicator will light.



**WARNING:** When your Notebook PC is attached to the power station, never pickup the Notebook PC alone. Always pickup the entire assembly by the bottom of the power station.

## Docking the Notebook PC (Cont.)

This is a completed example for B53 Notebook PC.



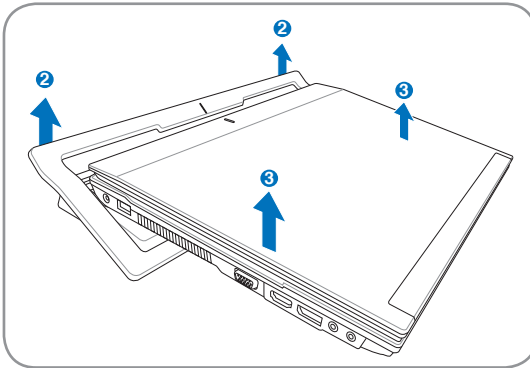
This docking is for B23E/ B33E/ B43E/ B43S/ B53E/ B53S Notebook PC series.

## Undocking the Notebook PC



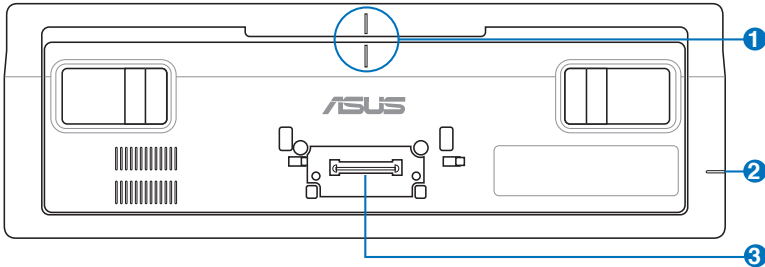
**IMPORTANT:** If the Notebook PC enters hibernation while it is attached to the power station, do not undock it. Always turn off the Notebook PC before undocking it from the power station.

1. Turn OFF the Notebook PC and ensure attached peripherals are not in use.
2. Lift the lever on the power station to undock the Notebook PC, and the power station docking indicator light will turn off.
3. Lift up the Notebook PC with both hands.



## Power Station Parts

### Top Side



#### 1. Alignment Mark

The alignment mark helps align the Notebook PC with the power station.

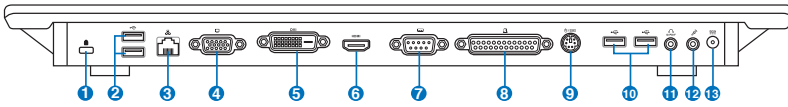
#### 2. Power Station Docking Indicator

The power station docking indicator lights when the Notebook PC is docked to the power station. When the Notebook PC is undocked, this indicator will turn OFF.

#### 3. Power Station Connector

The power station connector locks the Notebook PC in place and allows the power station to interface with the Notebook PC.

## Rear Side



### 1. Kensington® Lock Port

The Kensington® lock port allows the Notebook PC to be secured using Kensington® compatible Notebook PC security products. These security products usually include a metal cable and lock that prevent the Notebook PC to be removed from a fixed object. Some may also include a motion detector to sound an alarm when moved.

### 2. USB Port (2.0)

The USB (Universal Serial Bus) port is compatible with USB 2.0 or USB 1.1 devices such as keyboards, pointing devices, cameras, hard disk drives, printers, and scanners connected in a series up to 12Mbits/sec (USB 1.1) and 480Mbits/sec (USB 2.0). USB allows many devices to run simultaneously on a single computer, with some peripherals acting as additional plug-in sites or hubs. USB supports hot-swapping of devices so that most peripherals can be connected or disconnected without restarting the computer.

### 3. LAN Port

The RJ-45 LAN port with eight pins is larger than the RJ-11 modem port and supports a standard Ethernet cable for connection to a local network. The built-in connector allows convenient use without additional adapters.

### 4. Display (Monitor) Output

The 15-pin D-sub monitor port supports a standard VGA-compatible device such as a monitor or projector to allow viewing on a larger external display.

## 5. Display (DVI-D) Output

The Digital Video Interface port is designed to maximize video graphics output to flat panel LCD monitors or other DVI-compliant device.

## 6. HDMI Port

HDMI (High-Definition Multimedia Interface) is an uncompressed all-digital audio/video interface between any audio/video source, such as a set-top box, DVD player, and A/V receiver and an audio and/or video monitor, such as a digital television (DTV). Supports standard, enhanced, or high-definition video, plus multi-channel digital audio on a single cable. It transmits all ATSC HDTV standards and supports 8-channel digital audio, with bandwidth to spare to accommodate future enhancements or requirements.

## 7. Serial Port

The 9-pin D-sub serial port supports native serial devices such as a serial drawing tablets, serial mouse, or serial modem. Serial devices have been slowly replaced by USB devices.

## 8. Parallel Port

The 25-pin D-sub parallel/port supports native parallel devices such as laser/inkjet printers, or parallel-adapted device such as external hard drives, removable drives, or scanners.

## 9. PS/2 Port

The PS/2 port is for connection to either an external PS/2 mouse or an external PS/2 keyboard.

## 10. USB Port (2.0)

## 11. Headphone Output Jack

The stereo headphone jack (1/8 inch) is used to connect the Notebook PC's audio out signal to amplified speakers or headphones. Using this jack automatically disables the built-in speakers.



## 12. Microphone Input Jack

The mono microphone jack (1/8 inch) can be used to connect an external microphone or output signals from audio devices. Using this jack automatically disables the built-in microphone. Use this feature for video conferencing, voice narrations, or simple audio recordings.

## 13. Power (DC) Input

The supplied power adapter converts AC power to DC power for use with this jack. Power supplied through this jack supplies power to the power station, Notebook PC, and charges the internal battery pack. To prevent damage to the power station, Notebook PC, and battery pack, always use the supplied power adapter.



---

The adapter may become warm to hot when in use. Be sure not to cover the adapter and keep it away from your body.

---



---

Ensure to connect only the bundled 90W power adapter to your Power Station during operation.

---



---

Adapter Information:  
Rating output current: 4.74A  
Rating output voltage: 19VDC

---



---

This Notebook PC should only be used in environments with ambient temperatures 35°C (95°F).

---

## Copyright Information

No part of this manual, including the products and software described in it, may be reproduced, transmitted, transcribed, stored in a retrieval system, or translated into any language in any form or by any means, except documentation kept by the purchaser for backup purposes, without the express written permission of ASUSTeK COMPUTER INC. ("ASUS").

ASUS PROVIDES THIS MANUAL "AS IS" WITHOUT WARRANTY OF ANY KIND, EITHER EXPRESS OR IMPLIED, INCLUDING BUT NOT LIMITED TO THE IMPLIED WARRANTIES OR CONDITIONS OF MERCHANTABILITY OR FITNESS FOR A PARTICULAR PURPOSE. IN NO EVENT SHALL ASUS, ITS DIRECTORS, OFFICERS, EMPLOYEES OR AGENTS BE LIABLE FOR ANY INDIRECT, SPECIAL, INCIDENTAL, OR CONSEQUENTIAL DAMAGES (INCLUDING DAMAGES FOR LOSS OF PROFITS, LOSS OF BUSINESS, LOSS OF USE OR DATA, INTERRUPTION OF BUSINESS AND THE LIKE), EVEN IF ASUS HAS BEEN ADVISED OF THE POSSIBILITY OF SUCH DAMAGES ARISING FROM ANY DEFECT OR ERROR IN THIS MANUAL OR PRODUCT.

Products and corporate names appearing in this manual may or may not be registered trademarks or copyrights of their respective companies, and are used only for identification or explanation and to the owners' benefit, without intent to infringe.

SPECIFICATIONS AND INFORMATION CONTAINED IN THIS MANUAL ARE FURNISHED FOR INFORMATIONAL USE ONLY, AND ARE SUBJECT TO CHANGE AT ANY TIME WITHOUT NOTICE, AND SHOULD NOT BE CONSTRUED AS A COMMITMENT BY ASUS. ASUS ASSUMES NO RESPONSIBILITY OR LIABILITY FOR ANY ERRORS OR INACCURACIES THAT MAY APPEAR IN THIS MANUAL, INCLUDING THE PRODUCTS AND SOFTWARE DESCRIBED IN IT.

**Copyright © 2011 ASUSTeK COMPUTER INC. All Rights Reserved.**

## Limitation of Liability

Circumstances may arise where because of a default on ASUS' part or other liability, you are entitled to recover damages from ASUS. In each such instance, regardless of the basis on which you are entitled to claim damages from ASUS, ASUS is liable for no more than damages for bodily injury (including death) and damage to real property and tangible personal property; or any other actual and direct damages resulted from omission or failure of performing legal duties under this Warranty Statement, up to the listed contract price of each product.

ASUS will only be responsible for or indemnify you for loss, damages or claims based in contract, tort or infringement under this Warranty Statement.

This limit also applies to ASUS' suppliers and its reseller. It is the maximum for which ASUS, its suppliers, and your reseller are collectively responsible.

UNDER NO CIRCUMSTANCES IS ASUS LIABLE FOR ANY OF THE FOLLOWING: (1) THIRD-PARTY CLAIMS AGAINST YOU FOR DAMAGES; (2) LOSS OF, OR DAMAGE TO, YOUR RECORDS OR DATA; OR (3) SPECIAL, INCIDENTAL, OR INDIRECT DAMAGES OR FOR ANY ECONOMIC CONSEQUENTIAL DAMAGES (INCLUDING LOST PROFITS OR SAVINGS), EVEN IF ASUS, ITS SUPPLIERS OR YOUR RESELLER IS INFORMED OF THEIR POSSIBILITY.

## Service and Support

Visit our multi-language web site at <http://support.asus.com>

