

## OC Panel

- Quick Start Guide  
 دليل التشغيل السريع  
 Кратко упътване за бърз старт  
 Stručná příručka  
 Quick Start-vejledning  
 Snelstartgids  
 Lühijuhend  
 راهنمای شروع سریع  
 Guide de démarrage rapide  
 Pikakäynnistysopas  
 Schnellstarthilfe  
 Οδηγός γρήγορης έναρξης  
 Beüzemelési útmutató  
 Guida Rapida  
 Panduan Ringkas  
 クイックスタートガイド  
 Жылдам іске қосу нұсқаулығы  
 빠른 시작 설명서  
 Greitos darbo pradžios vadovas  
 Īsa pamācība  
 Hurtigstartsveiledning  
 Guia de consulta rápida  
 Instrukcja szybkiej instalacji  
 Краткое руководство  
 Ghid de pornire rapidă  
 Guía de inicio rápida  
 Vodič za brzo korišćenje  
 Stručný návod na spustenie  
 Snabbstartsguide  
  
 Hızlı Başlatma Kılavuzu  
 Hướng dẫn khởi động nhanh

### Australia statement notice

From 1 January 2012 updated warranties apply to all ASUS products, consistent with the Australian Consumer Law. For the latest product warranty details please visit <http://support.asus.com>. Our goods come with guarantees that cannot be excluded under the Australian Consumer Law. You are entitled to a replacement or refund for a major failure and compensation for any other reasonably foreseeable loss or damage. You are also entitled to have the goods repaired or replaced if the goods fail to be of acceptable quality and the failure does not amount to a major failure. If you require assistance please call ASUS Customer Service 1300 2787 88 or visit us at <http://support.asus.com>

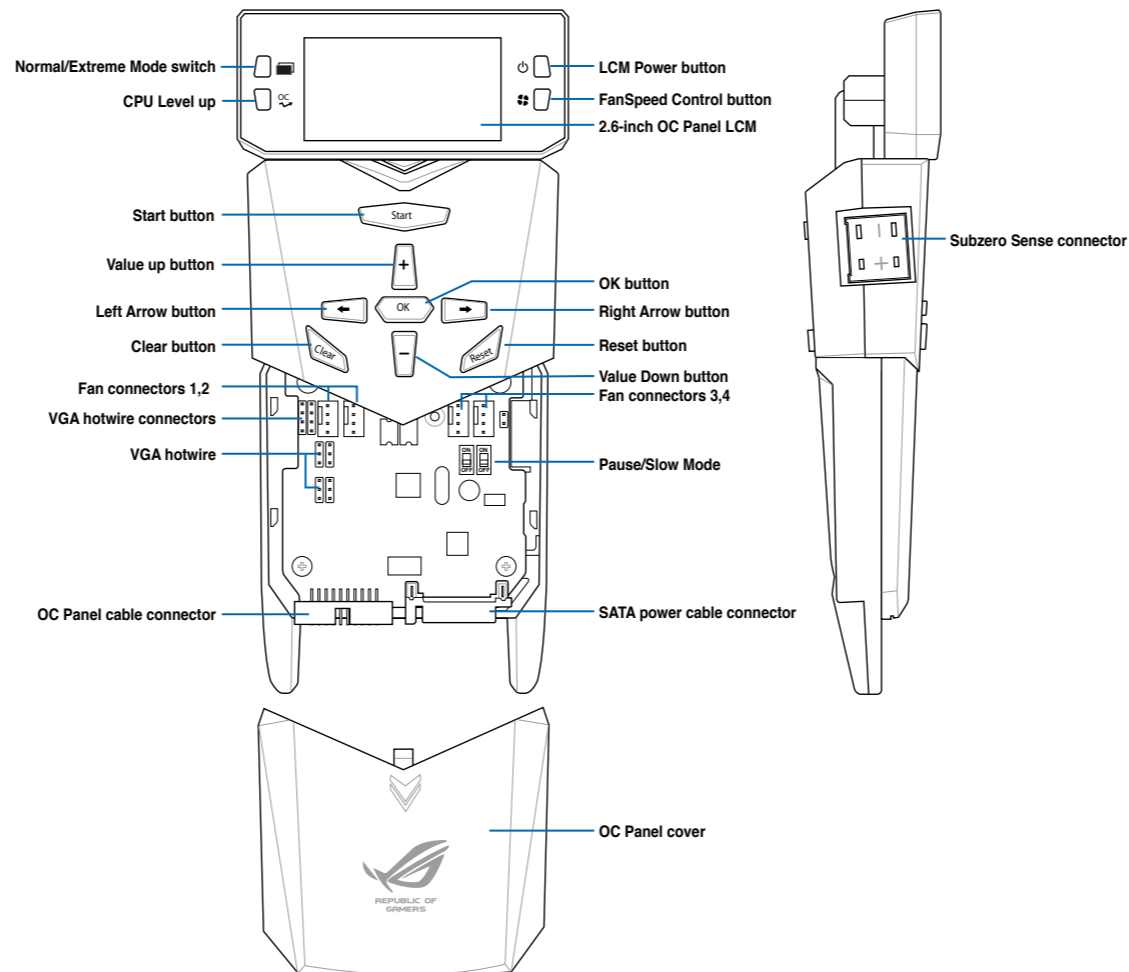


## I. Package contents

Check your package for the following items.

|               |                                                    |
|---------------|----------------------------------------------------|
| Cables        | 1 x ROG_EXT cable                                  |
| Accessories   | 1 x OC Panel                                       |
|               | 1 x OC Panel 5.25-inch drive bay metal case        |
|               | 2 x OC Panel 5.25-inch drive bay metal case screws |
| Documentation | OC Panel quick start guide (This document)         |

## II. OC Panel Overview

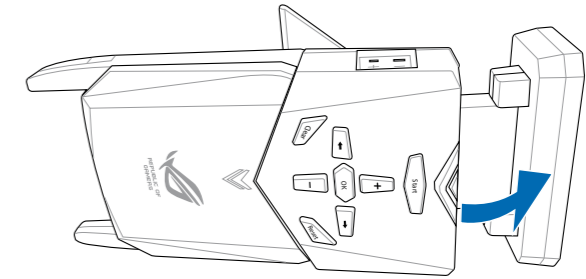


## III. OC Panel specifications summary

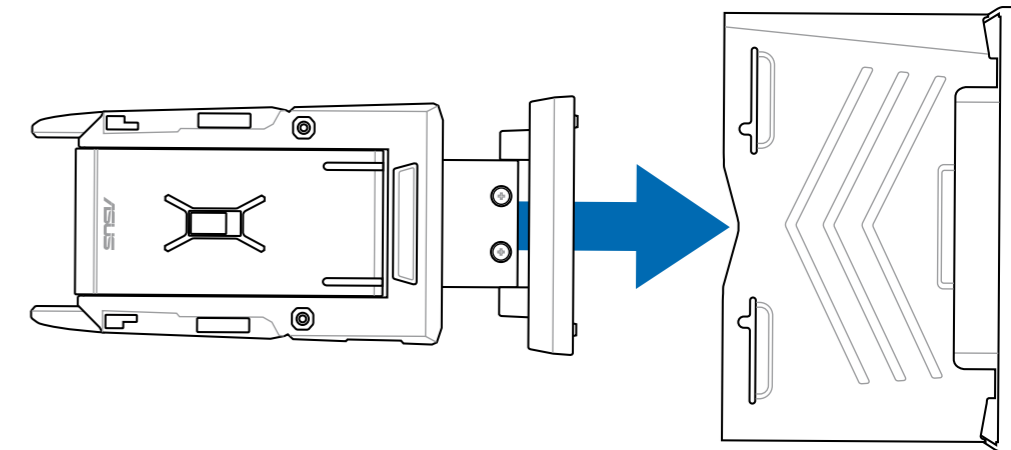
|                                  |                                                                                                                                                                                                                                                                                                                                                                                                                                                       |
|----------------------------------|-------------------------------------------------------------------------------------------------------------------------------------------------------------------------------------------------------------------------------------------------------------------------------------------------------------------------------------------------------------------------------------------------------------------------------------------------------|
| <b>Display</b>                   | 2.6-inch LCM                                                                                                                                                                                                                                                                                                                                                                                                                                          |
| <b>I/O Ports</b>                 | POWER : 1 x SATA power connector<br>ROG_EXT port : 1 x 18-1 pin data connection port<br>FAN : 4 x 4-pin extra fan connectors                                                                                                                                                                                                                                                                                                                          |
| <b>Power</b>                     | Voltage : +12V, +5V, +5VSB<br>Power consumption : 5A                                                                                                                                                                                                                                                                                                                                                                                                  |
| <b>Installation Requirements</b> | 1 x 5.25-inch drive bay required for NORMAL Mode installation<br>1 x SATA power cable from system power supply                                                                                                                                                                                                                                                                                                                                        |
| <b>Compatibility</b>             | Maximus VI Series and other motherboards with ROG_EXT port<br>• Visit the ASUS website at <a href="http://www.asus.com">www.asus.com</a> for the latest motherboard support/compatibility lists.<br>• Visit the ASUS Support site at <a href="http://support.asus.com">http://support.asus.com</a> to check and download the latest OC Panel firmware.<br>• Update the motherboard BIOS to the latest version for better compatibility with OC Panel. |

## IV. OC Panel Installation (Normal Mode)

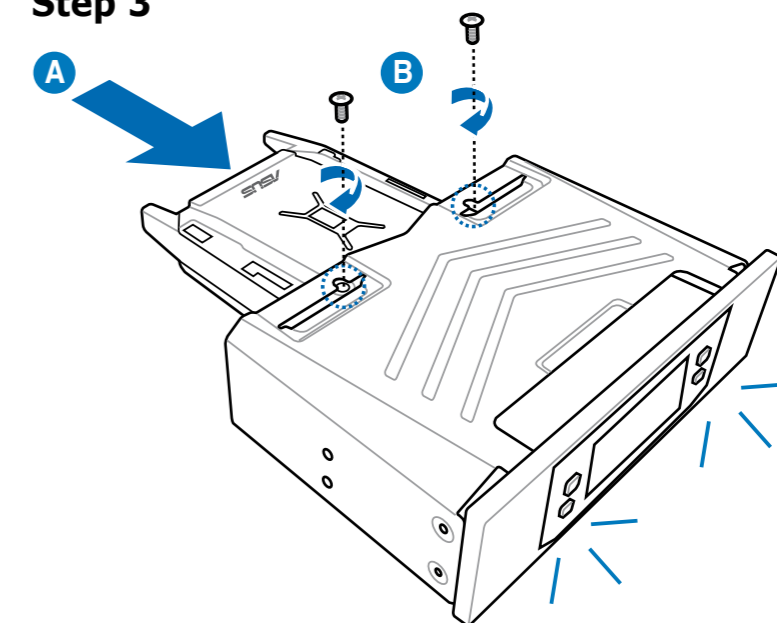
### Step 1



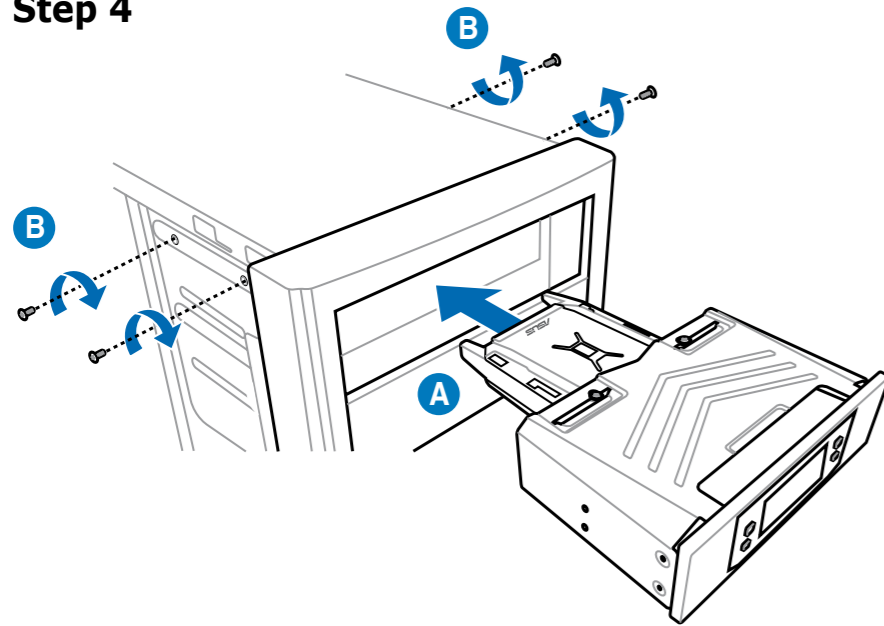
### Step 2



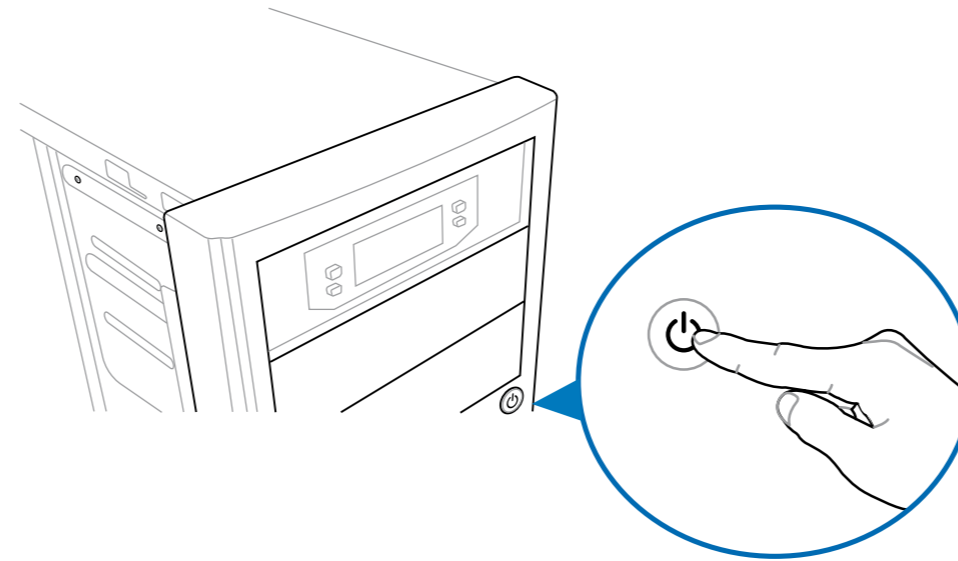
### Step 3



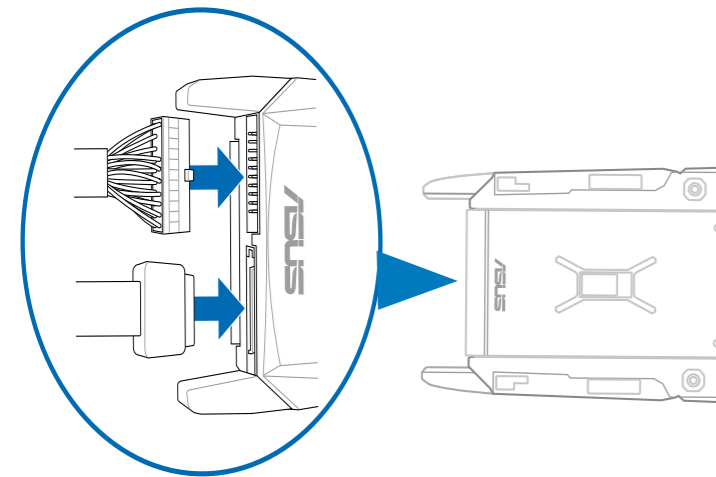
### Step 4



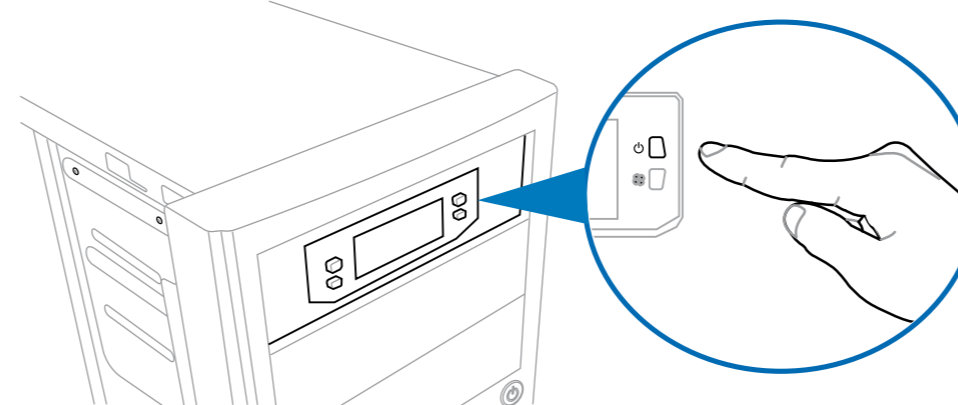
### Step 7



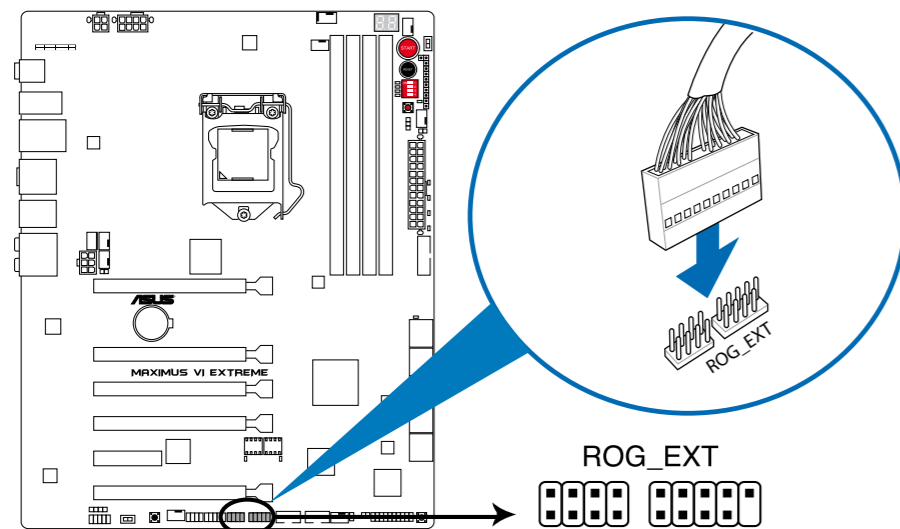
### Step 5



### Step 8



### Step 6



## ASUS contact information

### ASUSTeK COMPUTER INC.

Address 15 Li-Te Road, Peitou, Taipei, Taiwan 11259  
 Telephone +886-2-2894-3447  
 Fax +886-2-2890-7798  
 E-mail info@asus.com.tw  
 Web site http://www.asus.com

### Technical Support

Telephone +86-21-38429911  
 Fax +86-21-5866-8722, ext. 9101#  
 Online support http://support.asus.com/techserv/techserv.aspx

### ASUS COMPUTER INTERNATIONAL (America)

Address 800 Corporate Way, Fremont, CA 94539, USA  
 Telephone +1-510-739-3777  
 Fax +1-510-608-4555  
 Web site http://usa.asus.com

### Technical Support

Support fax +1-812-284-0883  
 General support +1-812-282-2787  
 Online support http://support.asus.com/techserv/techserv.aspx

### ASUS COMPUTER GmbH (Germany and Austria)

Address Harkort Str. 21-23, D-40880 Ratingen, Germany  
 Fax +49-2102-959911  
 Web site http://www.asus.com/de  
 Online contact http://eu-rma.asus.com/sales

### Technical Support

Telephone +49-2102-5789555  
 Support Fax +49-2102-9599-11  
 Online support http://support.asus.com/techserv/techserv.aspx

|                                            |                                                                                 |
|--------------------------------------------|---------------------------------------------------------------------------------|
| <b>Manufacturer</b>                        | ASUSTeK Computer Inc.                                                           |
|                                            | Tel: +886-2-2894-3447                                                           |
| <b>Authorised representative in Europe</b> | Address: 4F, No. 15, LI-TE RD., PEITOU, TAIPEI 112, TAIWAN                      |
|                                            | ASUSTeK Computer GmbH<br>Address: HARKORT STR. 21-23, D-40880 RATINGEN, GERMANY |

**EC Declaration of Conformity**

We, the undersigned, ASUSTeK COMPUTER INC. 4F, No. 15, LI-TE RD., PEITOU, TAIPEI 112, TAIWAN  
 Country: TAIWAN  
 Authorized representative in Europe: ASUS COMPUTER GmbH  
 Address, City: HARKORT STR. 21-23, 40880 RATINGEN  
 Country: GERMANY

Product name: Motherboard OC accessory  
 Model name: OC Panel

conform with the essential requirements of the following directives:

**EMC Directive**  
 EN 55022:2010  
 EN 55024:2010  
 EN 55013:2001+A1:2003+A2:2006  
 EN 55020:2007+A1:2011

**CE-R & TIE Directive**  
 EN 300 328 V1.7 (2006-10)  
 EN 300 440-1 V1.8 (2010-08)  
 EN 300 440-2 V1.4 (2010-08)  
 EN 301 511 V8.0 (2003-03)  
 EN 301 888-1 V3.1 (2011-08)  
 EN 301 908-2 V2.2 (2011-07)  
 EN 301 893 V1.6 (2011-11)  
 EN 302 842-2 V1.1 (2009-01)  
 EN 302 823 V1.1 (2009-01)  
 EN 30090:2001  
 EN 62479:2010  
 EN 60950:2002  
 EN 62311:2008

**CE-LVD Directive**  
 EN 60950-1 A12:2011  
 EN 60950:2002 / A12:2011

**CE-EMC Directive**  
 Regulation (EC) No. 1275:2008  
 Regulation (EC) No. 642:2009

**CE-ROHS Directive**  
 Regulation (EC) No. 642:2009

**CE marking**

**CE** (EC conformity marking)

Position: CEO  
 Name: Jerry Shan

Declaration Date: 16/04/2013  
 Year to begin affixing CE marking: 2013

Signature: \_\_\_\_\_

**DECLARATION OF CONFORMITY**  
 Per FCC Part 2 Section 2.1077(a)

**FC**

Responsible Party Name: ASUS Computer International  
 Address: 800 Corporate Way, Fremont, CA 94539.  
 Phone/Fax No: (510)739-3777/(510)608-4555

hereby declares that the product

Product Name: Motherboard OC accessory  
 Model Number: OC Panel

Conforms to the following specifications:  
 FCC Part 15, Subpart B, Unintentional Radiators

Supplementary Information:  
 This device complies with part 15 of the FCC Rules. Operation is subject to the following two conditions: (1) This device may not cause harmful interference, and (2) this device must accept any interference received, including interference that may cause undesired operation.

Representative Person's Name: Steve Chang / President

Signature: \_\_\_\_\_  
 Date: Apr. 16, 2013

Ver. 120601