



VivoMini VC65 Series

User Manual



E11262

Revised Edition V3

January 2016

COPYRIGHT INFORMATION

No part of this manual, including the products and software described in it, may be reproduced, transmitted, transcribed, stored in a retrieval system, or translated into any language in any form or by any means, except documentation kept by the purchaser for backup purposes, without the express written permission of ASUSTeK COMPUTER INC. ("ASUS").

ASUS PROVIDES THIS MANUAL "AS IS" WITHOUT WARRANTY OF ANY KIND, EITHER EXPRESS OR IMPLIED, INCLUDING BUT NOT LIMITED TO THE IMPLIED WARRANTIES OR CONDITIONS OF MERCHANTABILITY OR FITNESS FOR A PARTICULAR PURPOSE. IN NO EVENT SHALL ASUS, ITS DIRECTORS, OFFICERS, EMPLOYEES OR AGENTS BE LIABLE FOR ANY INDIRECT, SPECIAL, INCIDENTAL, OR CONSEQUENTIAL DAMAGES (INCLUDING DAMAGES FOR LOSS OF PROFITS, LOSS OF BUSINESS, LOSS OF USE OR DATA, INTERRUPTION OF BUSINESS AND THE LIKE), EVEN IF ASUS HAS BEEN ADVISED OF THE POSSIBILITY OF SUCH DAMAGES ARISING FROM ANY DEFECT OR ERROR IN THIS MANUAL OR PRODUCT.

Products and corporate names appearing in this manual may or may not be registered trademarks or copyrights of their respective companies, and are used only for identification or explanation and to the owners' benefit, without intent to infringe.

SPECIFICATIONS AND INFORMATION CONTAINED IN THIS MANUAL ARE FURNISHED FOR INFORMATIONAL USE ONLY, AND ARE SUBJECT TO CHANGE AT ANY TIME WITHOUT NOTICE, AND SHOULD NOT BE CONSTRUED AS A COMMITMENT BY ASUS. ASUS ASSUMES NO RESPONSIBILITY OR LIABILITY FOR ANY ERRORS OR INACCURACIES THAT MAY APPEAR IN THIS MANUAL, INCLUDING THE PRODUCTS AND SOFTWARE DESCRIBED IN IT.

Copyright © 2016 ASUSTeK COMPUTER INC. All Rights Reserved.

LIMITATION OF LIABILITY

Circumstances may arise where because of a default on ASUS' part or other liability, you are entitled to recover damages from ASUS. In each such instance, regardless of the basis on which you are entitled to claim damages from ASUS, ASUS is liable for no more than damages for bodily injury (including death) and damage to real property and tangible personal property; or any other actual and direct damages resulted from omission or failure of performing legal duties under this Warranty Statement, up to the listed contract price of each product.

ASUS will only be responsible for or indemnify you for loss, damages or claims based in contract, tort or infringement under this Warranty Statement.

This limit also applies to ASUS' suppliers and its reseller. It is the maximum for which ASUS, its suppliers, and your reseller are collectively responsible.

UNDER NO CIRCUMSTANCES IS ASUS LIABLE FOR ANY OF THE FOLLOWING: (1) THIRD-PARTY CLAIMS AGAINST YOU FOR DAMAGES; (2) LOSS OF, OR DAMAGE TO, YOUR RECORDS OR DATA; OR (3) SPECIAL, INCIDENTAL, OR INDIRECT DAMAGES OR FOR ANY ECONOMIC CONSEQUENTIAL DAMAGES (INCLUDING LOST PROFITS OR SAVINGS), EVEN IF ASUS, ITS SUPPLIERS OR YOUR RESELLER IS INFORMED OF THEIR POSSIBILITY.

SERVICE AND SUPPORT

Visit our multi-language web site at <https://www.asus.com/support/>

Contents

About this manual	4
Conventions used in this manual	4
Typography.....	4
Package contents.....	5

Getting to know your VivoMini

Features	8
Front panel.....	8
Left side	9
Right side.....	9
Rear panel	10

Using your VivoMini

Getting started.....	14
Connect the AC power cord to your VivoMini	14
Connect a display panel to your VivoMini.....	15
Connect the USB cable from keyboard or mouse	17
Turn on your VivoMini.....	18
Turning your VivoMini off.....	19
Putting your VivoMini to sleep.....	19
Entering the BIOS Setup	19
Quickly enter the BIOS.....	20

Upgrading your VivoMini

Installing 2.5" hard disk drive / solid state drive	22
Upgrading memory modules.....	27

Appendix

Safety information	32
Setting up your system.....	32
Care during use	32
Regulatory notices.....	34
ASUS contact information	40

About this manual

This manual provides information about the hardware and software features of your PC, organized through the following chapters:

Chapter 1: Getting to know your VivoMini

This chapter details the hardware components of your VivoMini.

Chapter 2: Using your VivoMini

This chapter provides you with information on using your VivoMini.

Chapter 3: Upgrading your VivoMini

This chapter provides you with information on how to upgrade the memory modules and hard disk drive / solid state drive of your VivoMini.

Appendix

This section includes notices and safety statements your VivoMini.

Conventions used in this manual

To highlight key information in this manual, some text are presented as follows:

IMPORTANT! This message contains vital information that must be followed to complete a task.

NOTE: This message contains additional information and tips that can help complete tasks.

WARNING! This message contains important information that must be followed to keep you safe while performing certain tasks and prevent damage to your VivoMini's data and components.

Typography

Bold text

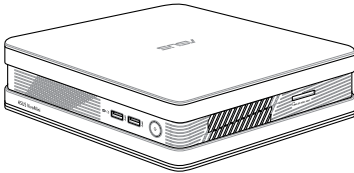
Italic

Indicates a menu or an item to select.

This indicates sections that you can refer to in this manual.

Package contents

Your VivoMini package contains the following items:



VivoMini



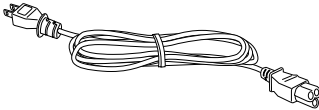
Technical documentations



Keyboard (optional)**



Mouse (optional)**



Power cord*



Driver DVD**

NOTE:

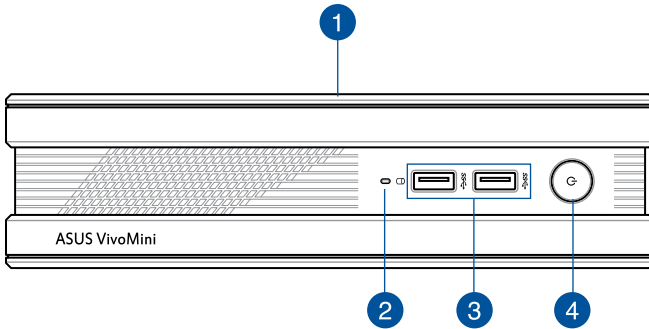
- *Actual product specifications and package contents may vary depending on the model type, country, or region.
 - **The availability and quantity of these items vary with your VivoMini package.
 - If the device or any of its components fail or malfunction during normal or proper use and it is still within the warranty period, bring the device and the warranty card to you nearest ASUS Service Center.
-

1

Getting to know your VivoMini

Features

Front panel



1

Top cover

The removable top cover allows you access to the hard disk drive and the memory modules.

IMPORTANT! Before removing the top cover, turn off your VivoMini and unplug the power cable.

2

Drive activity indicator

This indicator lights up when your VivoMini is accessing the internal storage drive.

3

USB 3.0 port

The USB 3.0 (Universal Serial Bus 3.0) port provides a transfer rate up to 5 Gbit/s and is backward compatible to USB 2.0.

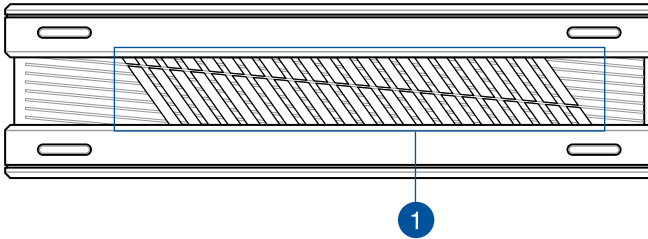
4



Power button

The power button allows you to turn the VivoMini on or off. You can also press the power button once to put your VivoMini to sleep mode.

Left side



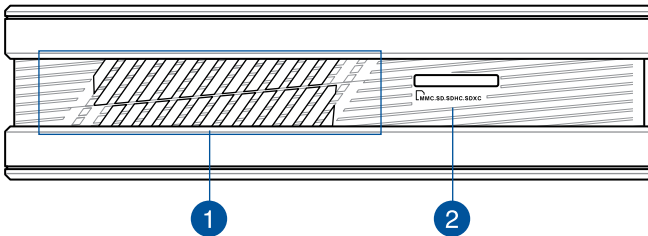
1

Air vents

The air vents allow air to enter your VivoMini chassis.

IMPORTANT! For optimum air flow, ensure that the air vents are free from obstructions.

Right side



1

Air vents

The air vents allow air to exit your VivoMini chassis.

IMPORTANT! For optimum heat dissipation and air ventilation, ensure that the air vents are free from obstructions.

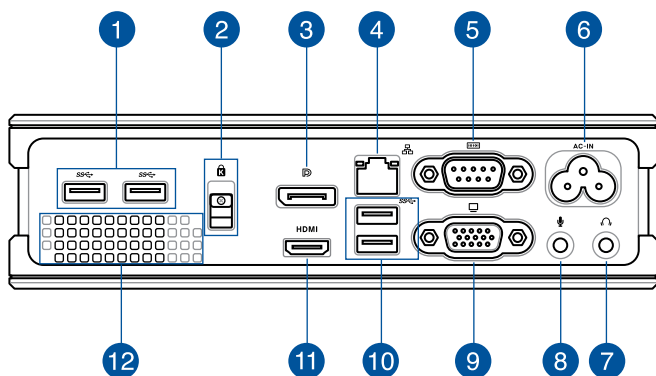
2



Memory card slot

This built-in memory card reader slot supports MMC, SD, SDHC, and SDXC card formats.

Rear panel



1 **USB 3.0 port**

The USB 3.0 (Universal Serial Bus 3.0) port provides a transfer rate up to 5 Gbit/s and is backward compatible to USB 2.0.

NOTE: On selected models these ports are USB 2.0 ports.







2 **Top cover lock latch + Kensington® security slot**

The top cover lock latch fastens the top cover on your VivoMini.

The Kensington® security slot allows you to secure your VivoMini using Kensington® compatible VivoMini security products.

3 **DisplayPort**

The DisplayPort sends high-performance digital output from your VivoMini to a display device such as an LCD TV or HD monitor.

- 4**  **LAN port**
The 8-pin RJ-45 LAN port supports a standard Ethernet cable for connection to a local network.
- 5**  **Serial (COM) connector**
The 9-pin serial (COM) connector allows you to connect devices that have serial ports such as mouse, modem, or printers.
- 6** **AC-IN** **Power (AC) input port**
Insert the power cord into this port to supply power to your VivoMini.
- 7**  **Headphone jack**
This port allows you to connect amplified speakers or headphones.
- 8**  **Microphone jack**
The microphone jack is designed to connect to a microphone used for video conferencing, voice narrations, or simple audio recordings.
- 9**  **VGA port**
This port allows you to connect your VivoMini to an external display.
- 10**  **USB 3.0 port**
The USB 3.0 (Universal Serial Bus 3.0) port provides a transfer rate up to 5 Gbit/s and is backward compatible to USB 2.0.
- 11** **HDMI** **HDMI port**
The HDMI (High Definition Multimedia Interface) port supports a Full-HD device such as an LCD TV or monitor to allow viewing on a larger external display.

12

Air vents

The air vents allow air to enter your VivoMini chassis.

IMPORTANT! For optimum air flow, ensure that the air vents are free from obstructions.

Using your VivoMini

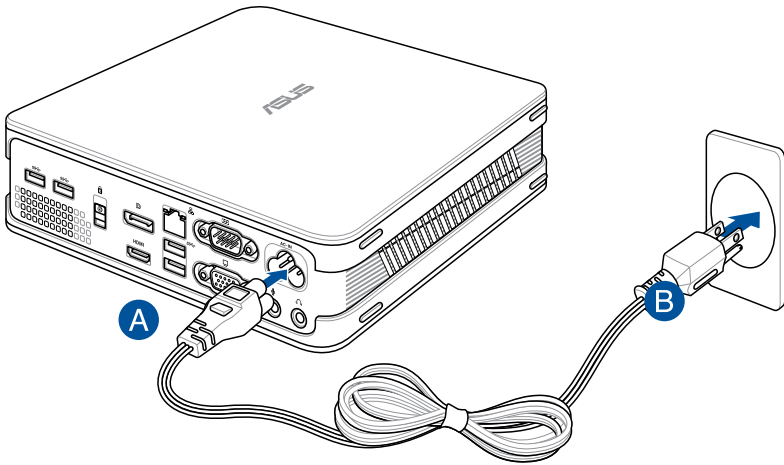
2

Getting started

Connect the AC power cord to your VivoMini

To connect the AC power cord to your VivoMini:

- A. Connect the AC power cord to the AC-IN port.
- B. Plug the AC power cord into a 100V~240V power source.



IMPORTANT!

- We strongly recommend that you use only the AC power cord that came with your VivoMini.
 - We strongly recommend that you use a grounded wall socket while using your VivoMini.
 - The socket outlet must be easily accessible and near your VivoMini.
 - To disconnect your VivoMini from its main power supply, unplug your VivoMini from the power socket.
 - Power adapter information:
 - Rating: 100~240V~, 50-60Hz, 1.5A
-

Connect a display panel to your VivoMini

You can connect a display panel or projector to your VivoMini that has the following connectors:

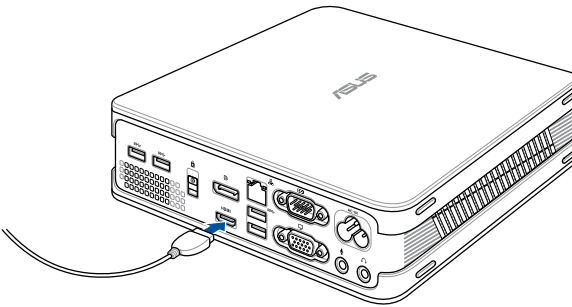
- HDMI connector
- DisplayPort connector
- VGA connector
- DVI connector (use with an HDMI/DisplayPort/VGA to DVI adapter)

NOTE: The HDMI to DVI adapter, DisplayPort to DVI adapter, or VGA to DVI adapter are each sold separately.

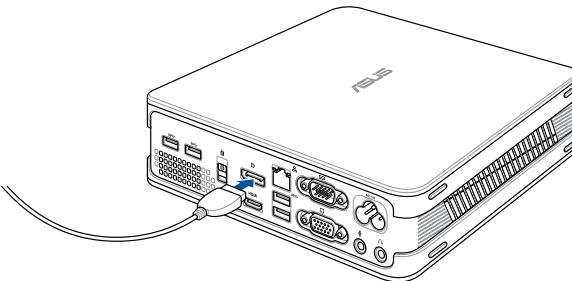
To connect a display panel to your VivoMini:

Connect a display cable either to the HDMI, DisplayPort or VGA port.

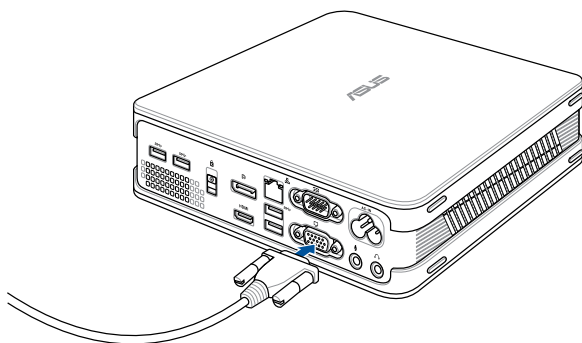
Connecting display via HDMI port



Connecting display via DisplayPort port



Connecting display via VGA port



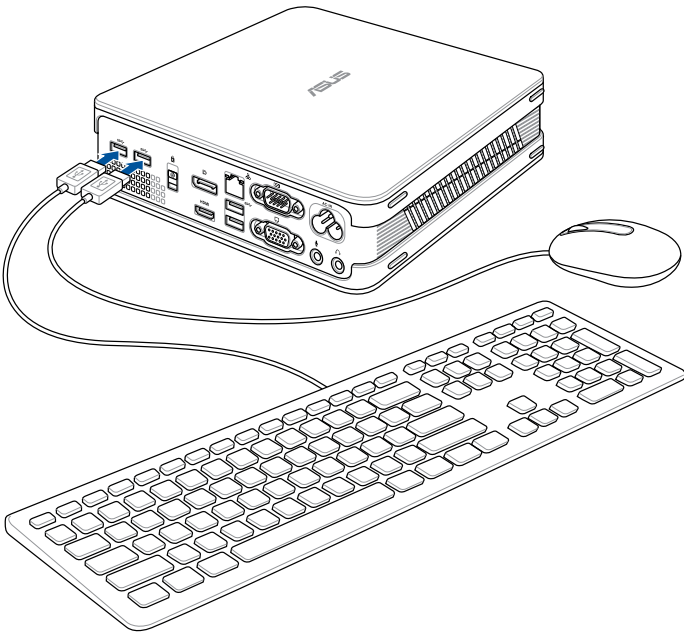
Connect the USB cable from keyboard or mouse

You can connect generally any USB keyboard and mouse to your VivoMini. You can also connect a USB dongle for a wireless keyboard and mouse set.

To connect a keyboard and mouse to your VivoMini:

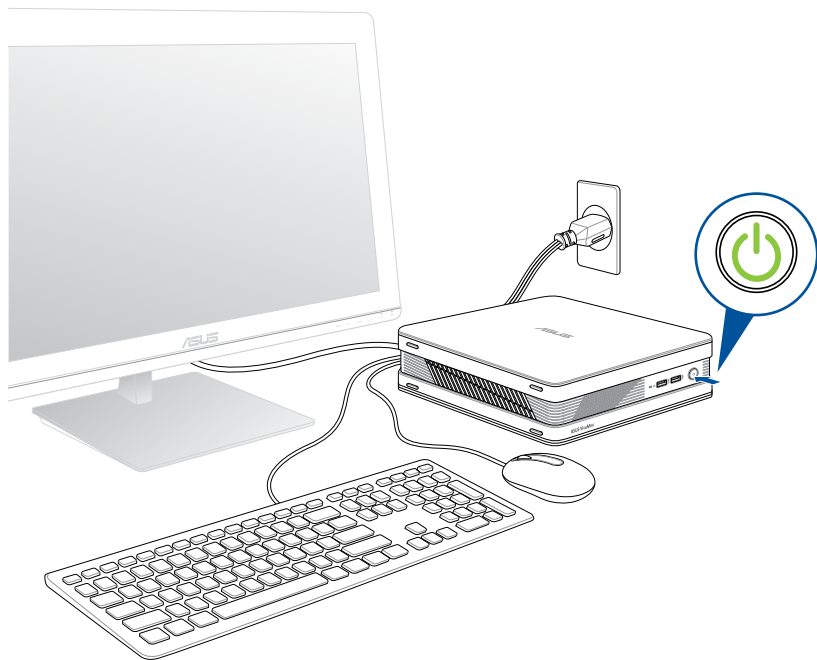
Connect the USB cable from your keyboard and mouse to any of the USB ports of your VivoMini.

Connecting keyboard or mouse via USB port



Turn on your VivoMini

Press the power button to turn on your VivoMini.



Turning your VivoMini off

If your VivoMini is unresponsive, press and hold the power button for at least four (4) seconds until your VivoMini turns off.

Putting your VivoMini to sleep

To put your VivoMini on Sleep mode, press the Power button once.

Entering the BIOS Setup

BIOS (Basic Input and Output System) stores system hardware settings that are needed for system startup in the VivoMini.

In normal circumstances, the default BIOS settings apply to most conditions to ensure optimal performance. Do not change the default BIOS settings except in the following circumstances:

- An error message appears on the screen during the system bootup and requests you to run the BIOS Setup.
- You have installed a new system component that requires further BIOS settings or update.

WARNING! Inappropriate BIOS settings may result to instability or boot failure. We strongly recommend that you change the BIOS settings only with the help of a trained service personnel.

Quickly enter the BIOS

To quickly enter the BIOS:

- Press the power button for at least four (4) seconds to shut down your VivoMini, then press the power button again to turn your VivoMini back on, then press <F2> or during POST.
- When your PC is off, disconnect the power cord from your VivoMini's power connector. Reconnect the power cable and press the power button to turn on your VivoMini. Press <F2> or during POST.

NOTE: POST (Power-On Self Test) is a series of software controlled diagnostic tests that run when you turn on your PC.

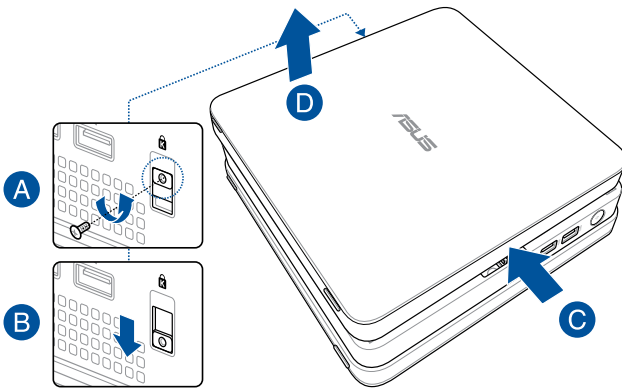
3

Upgrading your VivoMini

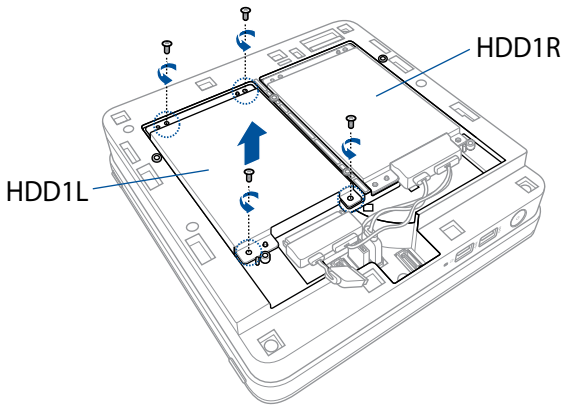
Installing 2.5" hard disk drive / solid state drive

To install or upgrade the hard disk drives / solid state drives:

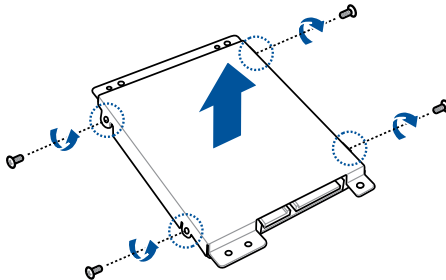
1. Turn off your VivoMini then disconnect all cables and peripherals.
2. Place the VivoMini on a flat stable surface, with its top side facing up.
3. Remove the screw from the top cover lock latch and push the latch down (A and B), then slide the top cover towards the rear of your VivoMini (C) until it is detached from the chassis.
4. Lift and remove the top cover (D) and set it aside.



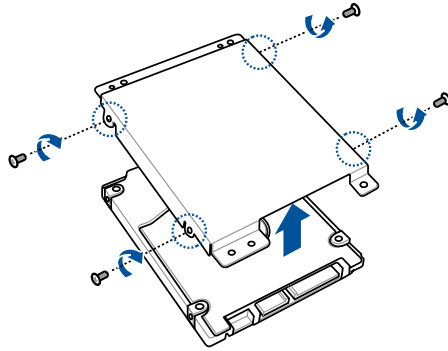
5. Remove four (4) screws from the HDD/SSD bracket.



6. (optional) To upgrade your HDD/SDD, first remove the four (4) screws on the bracket, then remove the bracket.



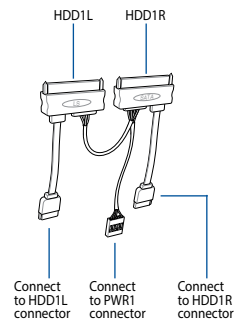
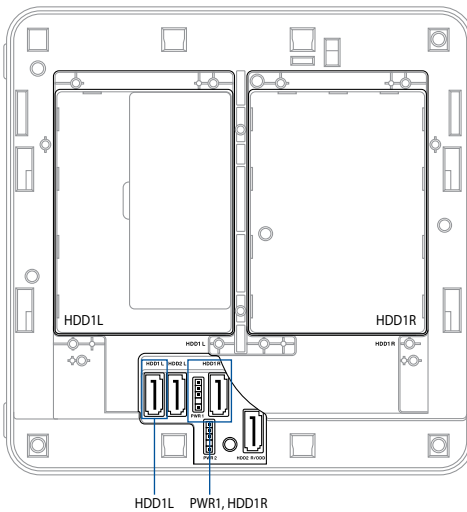
- To install a new HDD/SSD, secure the HDD/SSD to the bracket using four (4) screws.



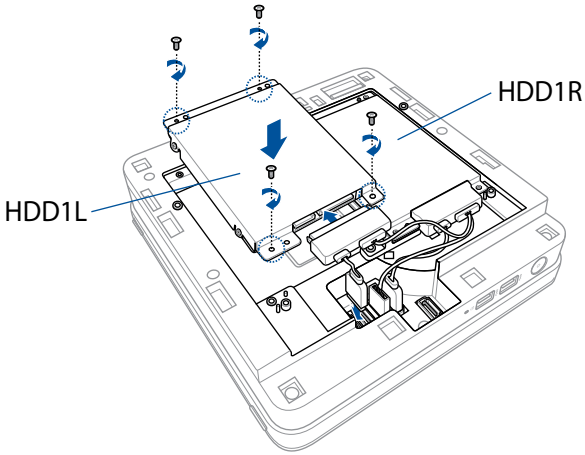
NOTE:

- Ensure to remove the holder from the bracket when installing an HDD/SSD to the HDD1R bracket.
- The availability of the holder may vary depending on the model type, country, or region.

- Connect the cable to the HDD1L, HDD1R and PWR1 connectors in your VivoMini.

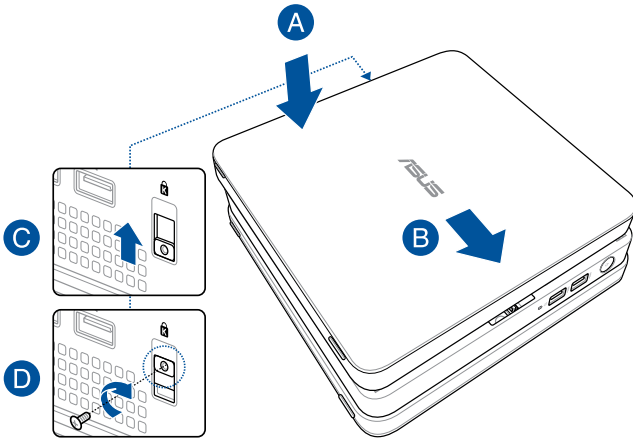


9. Connect the cable to the HDD/SSD, then align the bracket to the HDD/SSD compartment of your VivoMini and secure the bracket with the screws previously removed.



NOTE: Ensure to organize the cables to prevent any damage to your VivoMini and to ensure the top cover can be replaced successfully.

10. Replace the top cover (A) your VivoMini and slide it towards the front of the VivoMini to re-attach (B), then push the latch up and secure it using a screw (C and D).



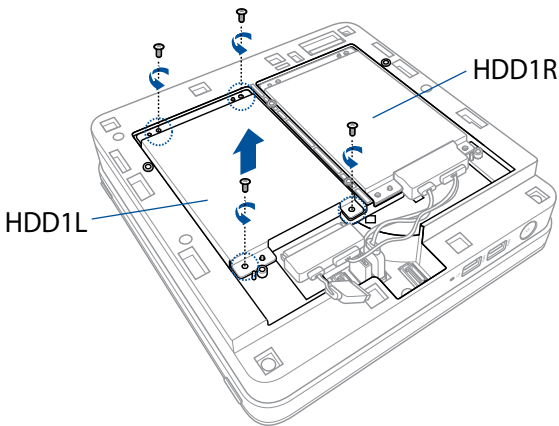
Upgrading memory modules

Your VivoMini comes with two SO-DIMM memory slots that allow you to install two 2GB, 4GB, or 8GB unbuffered non-ECC 1.35 V DDR3L 204-pin SO-DIMMs for a maximum of 16GB memory.

IMPORTANT! Refer to <http://www.asus.com> for the list of compatible DIMMs. You can only install 1.35 V DDR3L SO-DIMM to the VivoMini's DIMM slots.

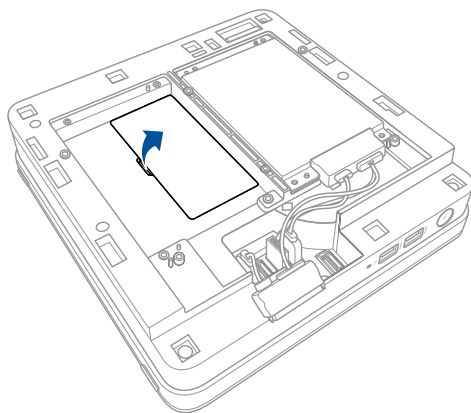
To install or upgrade the memory modules:

1. Follow steps 1-4 under the *Installing 2.5" hard disk drive / solid state drive* section to remove the top cover of your VivoMini.
2. Remove four screws from the HDD1L bracket and remove the bracket.



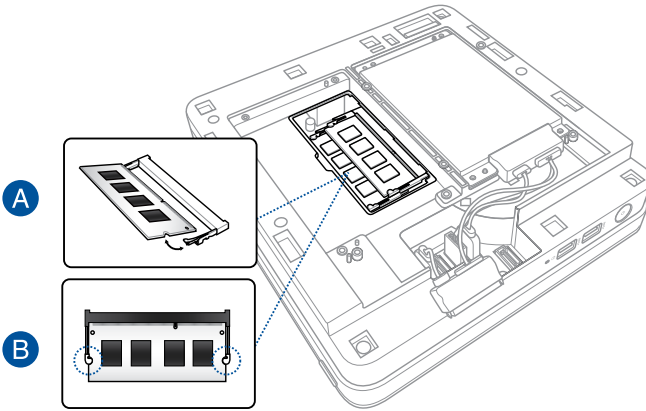
3. Pry the SO-DIMM slot cover open, then set it aside.

NOTE: If you want to remove the SO-DIMM slot cover, use a flathead screwdriver.

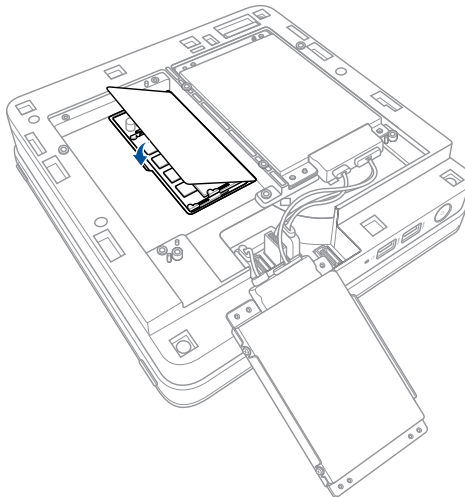


4. Align and insert the memory module into the slot (A) and press it down (B) until it is securely seated in place. Repeat the same steps to install the other memory module.

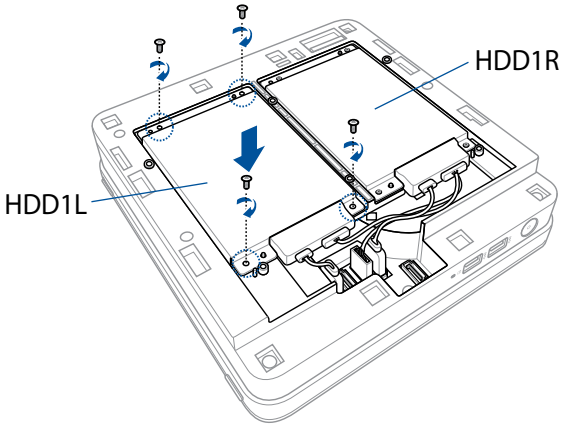
IMPORTANT! Always install into the lower slot first.



5. Replace the SO-DIMM slot cover.



6. Align the HDD1L bracket and secure it using the screws removed previously.



NOTE: Ensure to organize the cables to prevent any damage to your VivoMini and to ensure the top cover can be replaced successfully.

7. Follow step 10 under the *Installing 2.5" hard disk drive / solid state drive* section to replace the top cover of your VivoMini.

Appendix

Safety information

Your VivoMini is designed and tested to meet the latest standards of safety for information technology equipment. However, to ensure your safety, it is important that you read the following safety instructions.

Setting up your system

- Read and follow all instructions in the documentation before you operate your system.
- Do not use this product near water or a heated source.
- Set up the system on a stable surface.
- Openings on the chassis are for ventilation. Do not block or cover these openings. Make sure you leave plenty of space around the system for ventilation. Never insert objects of any kind into the ventilation openings.
- Use this product in environments with ambient temperatures between 0°C and 35°C.
- If you use an extension cord, make sure that the total ampere rating of the devices plugged into the extension cord does not exceed its ampere rating.

Care during use

- Do not walk on the power cord or allow anything to rest on it.
- Do not spill water or any other liquids on your system.
- When the system is turned off, a small amount of electrical current still flows. Always unplug the power cord from the power outlets before cleaning the system.
- If you encounter the following technical problems with the product, unplug the power cord and contact a qualified service technician or your retailer.
 - The power cord or plug is damaged.
 - Liquid has been spilled into the system.
 - The system does not function properly even if you follow the operating instructions.
 - The system was dropped or the cabinet is damaged.
 - The system performance changes.

Lithium-Metal Battery Warning

CAUTION: Danger of explosion if battery is incorrectly replaced. Replace only with the same or equivalent type recommended by the manufacturer. Dispose of used batteries according to the manufacturer's instructions.

NO DISASSEMBLY

The warranty does not apply to the products that have been disassembled by users



DO NOT throw the VivoMini in municipal waste. This product has been designed to enable proper reuse of parts and recycling. This symbol of the crossed out wheeled bin indicates that the product (electrical, electronic equipment, and mercury-containing button cell battery) should not be placed in municipal waste. Check local technical support services for product recycling.

Regulatory notices

REACH

Complying with the REACH (Registration, Evaluation, Authorization, and Restriction of Chemicals) regulatory framework, we publish the chemical substances in our products at ASUS REACH website at <http://csr.asus.com/english/REACH.htm>

ASUS Recycling/Takeback Services

ASUS recycling and takeback programs come from our commitment to the highest standards for protecting our environment. We believe in providing solutions for you to be able to responsibly recycle our products, batteries, other components, as well as the packaging materials. Please go to <http://csr.asus.com/english/Takeback.htm> for the detailed recycling information in different regions.

COATING NOTICE

IMPORTANT! To provide electrical insulation and maintain electrical safety, a coating is applied to insulate the device except on the areas where the I/O ports are located.

Federal Communications Commission Statement

This device complies with Part 15 of the FCC Rules. Operation is subject to the following two conditions:

- This device may not cause harmful interference, and
- This device must accept any interference received including interference that may cause undesired operation.

This equipment has been tested and found to comply with the limits for a Class B digital device, pursuant to Part 15 of the FCC Rules. These limits are designed to provide reasonable protection against harmful interference in a residential installation. This equipment generates, uses and can radiate radio frequency energy and, if not installed and used in accordance with manufacturer's instructions, may cause harmful interference to radio communications. However, there is no guarantee that interference will not occur in a particular installation. If this equipment does cause harmful interference to

radio or television reception, which can be determined by turning the equipment off and on, the user is encouraged to try to correct the interference by one or more of the following measures:

- Reorient or relocate the receiving antenna.
- Increase the separation between the equipment and receiver.
- Connect the equipment to an outlet on a circuit different from that to which the receiver is connected.
- Consult the dealer or an experienced radio/TV technician for help.

CAUTION: Any changes or modifications not expressly approved by the grantee of this device could void the user's authority to operate the equipment.

RF exposure warning

This equipment must be installed and operated in accordance with provided instructions and the antenna(s) used for this transmitter must be installed to provide a separation distance of at least 20 cm from all persons and must not be co-located or operating in conjunction with any other antenna or transmitter. End-users and installers must be provide with antenna installation instructions and transmitter operating conditions for satisfying RF exposure compliance.

Declaration of Conformity (R&TTE directive 1999/5/EC)

The following items were completed and are considered relevant and sufficient:

- Essential requirements as in [Article 3]
- Protection requirements for health and safety as in [Article 3.1a]
- Testing for electric safety according to [EN 60950]
- Protection requirements for electromagnetic compatibility in [Article 3.1b]
- Testing for electromagnetic compatibility according to [EN 301 489-1] & [EN 301 489-17]
- Effective use of the radio spectrum as in [Article 3.2]
- Radio test suites according to [EN 300 328-2]

France Restricted Wireless Frequency Bands

Some areas of France have a restricted frequency band. The worst case maximum authorized power indoors are:

- 10mW for the entire 2.4 GHz band (2400 MHz–2483.5 MHz)
- 100mW for frequencies between 2446.5 MHz and 2483.5 MHz

NOTE: Channels 10 through 13 inclusive operate in the band 2446.6 MHz to 2483.5 MHz.

There are few possibilities for outdoor use: On private property or on the private property of public persons, use is subject to a preliminary authorization procedure by the Ministry of Defense, with maximum authorized power of 100mW in the 2446.5–2483.5 MHz band. Use outdoors on public property is not permitted.

In the departments listed below, for the entire 2.4 GHz band:

- Maximum authorized power indoors is 100mW
- Maximum authorized power outdoors is 10mW

Departments in which the use of the 2400–2483.5 MHz band is permitted with an EIRP of less than 100mW indoors and less than 10mW outdoors:

01	Ain	02	Aisne	03	Allier
05	Hautes Alpes	08	Ardennes	09	Ariège
11	Aude	12	Aveyron	16	Charente
24	Dordogne	25	Doubs	26	Drôme
32	Gers	36	Indre	37	Indre et Loire
41	Loir et Cher	45	Loiret	50	Manche
55	Meuse	58	Nièvre	59	Nord
60	Oise	61	Orne	63	Puy du Dôme
64	Pyrénées Atlantique	66	Pyrénées Orientales	67	Bas Rhin
70	Haute Saône	71	Saône et Loire	75	Paris
82	Tarn et Garonne	84	Vaucluse	88	Vosges
89	Yonne	90	Territoire de Belfort	94	Val de Marne

This requirement is likely to change over time, allowing you to use your wireless LAN card in more areas within France. Please check with ART for the latest information (www.art-telecom.fr)

NOTE: Your WLAN Card transmits less than 100mW, but more than 10mW.

Canadian Department of Communications Statement

This digital apparatus does not exceed the Class B limits for radio noise emissions from digital apparatus set out in the Radio Interference Regulations of the Canadian Department of Communications.

This class B digital apparatus complies with Canadian ICES-003.

IC Radiation Exposure Statement for Canada

This equipment complies with IC radiation exposure limits set forth for an uncontrolled environment. To maintain compliance with IC RF exposure compliance requirements, please avoid direct contact to the transmitting antenna during transmitting. End users must follow the specific operating instructions for satisfying RF exposure compliance.

Operation is subject to the following two conditions:

- This device may not cause interference and
- This device must accept any interference, including interference that may cause undesired operation of the device.

CE Mark Warning



CE marking for devices without wireless LAN/Bluetooth

The shipped version of this device complies with the requirements of the EEC directives 2004/108/EC “Electromagnetic compatibility” and 2006/95/EC “Low voltage directive”.



CE marking for devices with wireless LAN/ Bluetooth

This equipment complies with the requirements of Directive 1999/5/EC of the European Parliament and Commission from 9 March, 1999 governing Radio and Telecommunications Equipment and mutual recognition of conformity.

Wireless Operation Channel for Different Domains

N. America	2.412-2.462 GHz	Ch01 through CH11
Japan	2.412-2.484 GHz	Ch01 through Ch14
Europe ETSI	2.412-2.472 GHz	Ch01 through Ch13

Regional notice for Singapore

Complies with
IDA Standards
DB103778

This ASUS product complies with IDA Standards.

ENERGY STAR complied product



ENERGY STAR is a joint program of the U.S. Environmental Protection Agency and the U.S. Department of Energy helping us all save money and protect the environment through energy efficient products and practices.

All ASUS products with the ENERGY STAR logo comply with the ENERGY STAR standard, and the power management feature is enabled by default. The monitor and computer are automatically set to sleep after 10 and 30 minutes of user inactivity. To wake your computer, click the mouse or press any key on the keyboard.

Please visit <http://www.energystar.gov/powermanagement> for detail information on power management and its benefits to the environment. In addition, please visit <http://www.energystar.gov> for detail information on the ENERGY STAR joint program.

NOTE: Energy Star is NOT supported on FreeDOS and Linux-based products.

ASUS contact information

ASUSTeK COMPUTER INC.

Address 4F, No. 150, Li-Te Rd., Peitou, Taipei 112, Taiwan
Telephone +886-2-2894-3447
Fax +886-2-2890-7798
Web site <http://www.asus.com>

Technical Support

Telephone +86-21-3842-9911
Fax +86-21-5866-8722, ext. 9101#
Online support <http://qr.asus.com/techserv>

ASUS COMPUTER INTERNATIONAL (America)

Address 800 Corporate Way, Fremont, CA 94539, USA
Telephone +1-510-739-3777
Fax +1-510-608-4555
Web site <http://usa.asus.com>

Technical Support

Support fax +1-812-284-0883
General support +1-812-282-2787
Online support <http://qr.asus.com/techserv>

ASUS COMPUTER GmbH (Germany and Austria)

Address Harkort Str. 21-23, D-40880 Ratingen, Germany
Fax +49-2102-959931
Web site <http://www.asus.com/de>
Online contact <http://eu-rma.asus.com/sales>

Technical Support

Telephone +49-2102-5789555
Support Fax +49-2102-959911
Online support <http://qr.asus.com/techserv>

Manufacturer	ASUSTeK Computer Inc.	
	Tel:	+886-2-2894-3447
	Address:	4F, No. 150, LI-TE RD., PEITOU, TAIPEI 112, TAIWAN
Authorised representative in Europe	ASUSTeK Computer GmbH	
	Address:	HARKORT STR. 21-23, 40880 RATINGEN, GERMANY

Declaración de conformidad EU

Nosotros, los abajo firmantes,

Fabricante:	ASUSTEK COMPUTER INC.
Dirección:	4F, No. 150, LITE Rd., PEITOU, TAIPEI 112, TAIWAN
Representante autorizado en Europa:	ASUS COMPUTER GmbH
Dirección, ciudad:	HARKORT STR. 21-22, 40880 RATINGEN, ALEMANIA

declara los siguientes aparatos:

Nombre del product.:	VivoMini
Nombre del modelo.:	VC65R, VC65

conforme a los requisitos esenciales de las siguientes directivas:

<input checked="" type="checkbox"/> Directiva 2004/108/EC-EMC	<input checked="" type="checkbox"/> EN 55022:2010/A2:2011	<input checked="" type="checkbox"/> EN 55013:2007/A1:2011	<input checked="" type="checkbox"/> EN 55022:2007/A1:2011
<input checked="" type="checkbox"/> Directiva 1999/5/EC-RoHS	<input checked="" type="checkbox"/> EN 50363:2010/A1:2013	<input checked="" type="checkbox"/> EN 50363:2010/A1:2013	<input checked="" type="checkbox"/> EN 50363:2010/A1:2013
<input checked="" type="checkbox"/> Directiva 1989/5/EC-RoHS II	<input checked="" type="checkbox"/> EN 300 328 V1.8 (12/02/06)	<input checked="" type="checkbox"/> EN 301 488-A V1.9 (2/2011/09)	<input checked="" type="checkbox"/> EN 301 488-A V1.9 (2/2011/09)
	<input checked="" type="checkbox"/> EN 300 440-V1.6 (12/01/08)	<input checked="" type="checkbox"/> EN 301 488-B V1.1 (12/01-12)	<input checked="" type="checkbox"/> EN 301 488-B V1.1 (12/01-12)
	<input checked="" type="checkbox"/> EN 301 511 V1.0 (2/2009-03)	<input checked="" type="checkbox"/> EN 301 488-C V1.1 (12/05-11)	<input checked="" type="checkbox"/> EN 301 488-C V1.1 (12/05-11)
	<input checked="" type="checkbox"/> EN 301 908-1 V06.2 (12/03-04)	<input checked="" type="checkbox"/> EN 301 488-D V1.4 (12/07-11)	<input checked="" type="checkbox"/> EN 301 488-D V1.4 (12/07-11)
	<input checked="" type="checkbox"/> EN 301 908-2 V1.2 (12/01-02)	<input checked="" type="checkbox"/> EN 301 488-E V1.5 (12/01-09)	<input checked="" type="checkbox"/> EN 301 488-E V1.5 (12/01-09)
	<input checked="" type="checkbox"/> EN 301 893 V1.1 (12/02/06-02)	<input checked="" type="checkbox"/> EN 301 352-V1.1 (12/06-07)	<input checked="" type="checkbox"/> EN 301 352-V1.1 (12/06-07)
	<input checked="" type="checkbox"/> EN 300 330-2 V1.5 (12/01-02)	<input checked="" type="checkbox"/> EN 302 291-2 V1.1 (12/06-07)	<input checked="" type="checkbox"/> EN 302 291-2 V1.1 (12/06-07)
	<input checked="" type="checkbox"/> EN 302 291-1 V1.1 (12/06-07)	<input checked="" type="checkbox"/> EN 302 623 V1.1 (12/09-01)	<input checked="" type="checkbox"/> EN 302 623 V1.1 (12/09-01)
	<input checked="" type="checkbox"/> EN 52479:2010	<input checked="" type="checkbox"/> EN 50562:2013/A2:2014	<input checked="" type="checkbox"/> EN 50562:2013/A2:2014
	<input checked="" type="checkbox"/> EN 62311:2008	<input checked="" type="checkbox"/> EN 50368:2002	<input checked="" type="checkbox"/> EN 50368:2002

<input checked="" type="checkbox"/> Directiva 2006/95/EC-LVD	<input checked="" type="checkbox"/> EN 60950-1:2006/A12:2011	<input checked="" type="checkbox"/> EN 60950-1:2006/A12:2011
<input checked="" type="checkbox"/> Directiva 2006/42/EC-EP	<input checked="" type="checkbox"/> EN 60950-1:2006/A12:2011	<input checked="" type="checkbox"/> EN 60950-1:2006/A12:2011
<input checked="" type="checkbox"/> Directiva 2004/108/EC-EMC	<input checked="" type="checkbox"/> EN 55022:2010/A2:2011	<input checked="" type="checkbox"/> EN 55022:2010/A2:2011
<input checked="" type="checkbox"/> Directiva 2011/65/EURoHS	<input checked="" type="checkbox"/> EN 50363:2010/A1:2013	<input checked="" type="checkbox"/> EN 50363:2010/A1:2013
<input checked="" type="checkbox"/> Marca CE	<input checked="" type="checkbox"/> EN 50363:2010/A1:2013	<input checked="" type="checkbox"/> EN 50363:2010/A1:2013
<input checked="" type="checkbox"/> Fuente de clase2	<input checked="" type="checkbox"/> EN 50363:2010/A1:2013	<input checked="" type="checkbox"/> EN 50363:2010/A1:2013



(marca de conformidad EU)

Firma	Taipei, Taiwan
Jerry Shen	Lugar de emisión
Nombre (con letra de imprenta)	09/12/2012
CEO	Fecha original de declaración
Posición	28/12/2015
	Fecha corregida de declaración
	2015
	Año de inicio del establecimiento de la marca CE

EU Declaration of Conformity

We, the undersigned,

Manufacturer:	ASUSTEK COMPUTER INC.
Address:	4F, No. 150, LITE Rd., PEITOU, TAIPEI 112, TAIWAN
Authorized representative in Europe:	ASUS COMPUTER GmbH
Address, City:	HARKORT STR. 21-22, 40880 RATINGEN, GERMANY

declare the following apparatus:

Product name :	VivoMini
Model name :	VC65R, VC65

conform with the essential requirements of the following directives:

<input checked="" type="checkbox"/> 2004/108/EC-EMC Directive	<input checked="" type="checkbox"/> EN 55022:2010	<input checked="" type="checkbox"/> EN 55013:2007/A1:2011	<input checked="" type="checkbox"/> EN 55022:2007/A1:2011
<input checked="" type="checkbox"/> 1999/5/EC-RoHS Directive	<input checked="" type="checkbox"/> EN 50363:2010/A1:2013	<input checked="" type="checkbox"/> EN 50363:2010/A1:2013	<input checked="" type="checkbox"/> EN 50363:2010/A1:2013
<input checked="" type="checkbox"/> 1989/5/EC-RoHS II	<input checked="" type="checkbox"/> EN 300 328 V1.8 (12/02/06)	<input checked="" type="checkbox"/> EN 301 488-A V1.9 (2/2011/09)	<input checked="" type="checkbox"/> EN 301 488-A V1.9 (2/2011/09)
	<input checked="" type="checkbox"/> EN 300 440-V1.6 (12/01/08)	<input checked="" type="checkbox"/> EN 301 488-B V1.1 (12/01-12)	<input checked="" type="checkbox"/> EN 301 488-B V1.1 (12/01-12)
	<input checked="" type="checkbox"/> EN 301 511 V1.0 (2/2009-03)	<input checked="" type="checkbox"/> EN 301 488-C V1.1 (12/05-11)	<input checked="" type="checkbox"/> EN 301 488-C V1.1 (12/05-11)
	<input checked="" type="checkbox"/> EN 301 908-1 V06.2 (12/03-04)	<input checked="" type="checkbox"/> EN 301 488-D V1.4 (12/07-11)	<input checked="" type="checkbox"/> EN 301 488-D V1.4 (12/07-11)
	<input checked="" type="checkbox"/> EN 301 908-2 V1.2 (12/01-02)	<input checked="" type="checkbox"/> EN 301 488-E V1.5 (12/01-09)	<input checked="" type="checkbox"/> EN 301 488-E V1.5 (12/01-09)
	<input checked="" type="checkbox"/> EN 301 893 V1.1 (12/02/06-02)	<input checked="" type="checkbox"/> EN 301 352-V1.1 (12/06-07)	<input checked="" type="checkbox"/> EN 301 352-V1.1 (12/06-07)
	<input checked="" type="checkbox"/> EN 300 330-2 V1.5 (12/01-02)	<input checked="" type="checkbox"/> EN 302 291-2 V1.1 (12/06-07)	<input checked="" type="checkbox"/> EN 302 291-2 V1.1 (12/06-07)
	<input checked="" type="checkbox"/> EN 302 291-1 V1.1 (12/06-07)	<input checked="" type="checkbox"/> EN 302 623 V1.1 (12/09-01)	<input checked="" type="checkbox"/> EN 302 623 V1.1 (12/09-01)
	<input checked="" type="checkbox"/> EN 52479:2010	<input checked="" type="checkbox"/> EN 50562:2013/A2:2014	<input checked="" type="checkbox"/> EN 50562:2013/A2:2014
	<input checked="" type="checkbox"/> EN 62311:2008	<input checked="" type="checkbox"/> EN 50368:2002	<input checked="" type="checkbox"/> EN 50368:2002

<input checked="" type="checkbox"/> 2006/95/EC-LVD Directive	<input checked="" type="checkbox"/> EN 60950-1:2006/A12:2011	<input checked="" type="checkbox"/> EN 60950-1:2006/A12:2011
<input checked="" type="checkbox"/> 2006/42/EC-EP Directive	<input checked="" type="checkbox"/> EN 60950-1:2006/A12:2011	<input checked="" type="checkbox"/> EN 60950-1:2006/A12:2011
<input checked="" type="checkbox"/> 2004/108/EC-EMC Directive	<input checked="" type="checkbox"/> EN 55022:2010/A2:2011	<input checked="" type="checkbox"/> EN 55022:2010/A2:2011
<input checked="" type="checkbox"/> CE marking	<input checked="" type="checkbox"/> EN 50363:2010/A1:2013	<input checked="" type="checkbox"/> EN 50363:2010/A1:2013
<input checked="" type="checkbox"/> Statement Class 2	<input checked="" type="checkbox"/> EN 50363:2010/A1:2013	<input checked="" type="checkbox"/> EN 50363:2010/A1:2013



(EU conformity marking)

Signature	Taipei, Taiwan
Jerry Shen	Place of issue
Printed Name	09/12/2015
CEO	Original Declaration Date
Position	28/12/2015
	Corrected Declaration Date
	2015
	Year to begin affixing CE marking



EU Declaratie de Conformitate



Noi, subsemnati,

Producator: **ASUSTEK COMPUTER INC.**
 Adresa: **4F, No. 150, LI-TE RD., PEITOU, TAIPEI 112, TAIWAN**
 Reprezentant autorizat in Europa: **ASUS COMPUTER GmbH**
 Adresa, Oraș: **Strada HARKORT Nr. 21-23, RATNGEN 40880**
 Tara: **Germania**

declaram ca urmatoorul aparat:

Nume produs: **VivoMini**
 Nume model: **VC65R, VC65**

este conform cu cerintele esentiale ale urmatorilor directive:

Directiva 2004/108/EC-EMC

- EN 55022:2010/A2:2011
- EN 61000-3-2:2014
- EN 61000-3-3:2013
- EN 55022:2010/A1:2009
- EN 55022:2007/A1:2011

Directiva 2006/95/EC-LVD

- EN 55014:2013
- EN 60584:2013
- EN 300-440-1 V1.6 (2010-08)
- EN 300-488-3 V1.6 (2013-12)
- EN 300-488-4 V1.6 (2013-12)
- EN 300-489-1 V1.3 (2009-11)
- EN 300-489-2 V1.3 (2009-11)
- EN 300-489-3 V1.4 (2007-11)
- EN 300-489-4 V1.4 (2007-11)
- EN 300-489-5 V1.5 (2010-09)
- EN 300-489-6 V1.5 (2010-09)
- EN 300-489-7 V1.5 (2010-09)
- EN 300-489-8 V1.5 (2010-09)
- EN 300-489-9 V1.5 (2010-09)
- EN 300-489-10 V1.5 (2010-09)
- EN 300-489-11 V1.5 (2010-09)
- EN 300-489-12 V1.5 (2010-09)
- EN 300-489-13 V1.5 (2010-09)
- EN 300-489-14 V1.5 (2010-09)
- EN 300-489-15 V1.5 (2010-09)
- EN 300-489-16 V1.5 (2010-09)
- EN 300-489-17 V1.5 (2010-09)
- EN 300-489-18 V1.5 (2010-09)
- EN 300-489-19 V1.5 (2010-09)
- EN 300-489-20 V1.5 (2010-09)
- EN 300-489-21 V1.5 (2010-09)
- EN 300-489-22 V1.5 (2010-09)
- EN 300-489-23 V1.5 (2010-09)
- EN 300-489-24 V1.5 (2010-09)
- EN 300-489-25 V1.5 (2010-09)
- EN 300-489-26 V1.5 (2010-09)
- EN 300-489-27 V1.5 (2010-09)
- EN 300-489-28 V1.5 (2010-09)
- EN 300-489-29 V1.5 (2010-09)
- EN 300-489-30 V1.5 (2010-09)
- EN 300-489-31 V1.5 (2010-09)
- EN 300-489-32 V1.5 (2010-09)
- EN 300-489-33 V1.5 (2010-09)
- EN 300-489-34 V1.5 (2010-09)
- EN 300-489-35 V1.5 (2010-09)
- EN 300-489-36 V1.5 (2010-09)
- EN 300-489-37 V1.5 (2010-09)
- EN 300-489-38 V1.5 (2010-09)
- EN 300-489-39 V1.5 (2010-09)
- EN 300-489-40 V1.5 (2010-09)
- EN 300-489-41 V1.5 (2010-09)
- EN 300-489-42 V1.5 (2010-09)
- EN 300-489-43 V1.5 (2010-09)
- EN 300-489-44 V1.5 (2010-09)
- EN 300-489-45 V1.5 (2010-09)
- EN 300-489-46 V1.5 (2010-09)
- EN 300-489-47 V1.5 (2010-09)
- EN 300-489-48 V1.5 (2010-09)
- EN 300-489-49 V1.5 (2010-09)
- EN 300-489-50 V1.5 (2010-09)
- EN 300-489-51 V1.5 (2010-09)
- EN 300-489-52 V1.5 (2010-09)
- EN 300-489-53 V1.5 (2010-09)
- EN 300-489-54 V1.5 (2010-09)
- EN 300-489-55 V1.5 (2010-09)
- EN 300-489-56 V1.5 (2010-09)
- EN 300-489-57 V1.5 (2010-09)
- EN 300-489-58 V1.5 (2010-09)
- EN 300-489-59 V1.5 (2010-09)
- EN 300-489-60 V1.5 (2010-09)
- EN 300-489-61 V1.5 (2010-09)
- EN 300-489-62 V1.5 (2010-09)
- EN 300-489-63 V1.5 (2010-09)
- EN 300-489-64 V1.5 (2010-09)
- EN 300-489-65 V1.5 (2010-09)
- EN 300-489-66 V1.5 (2010-09)
- EN 300-489-67 V1.5 (2010-09)
- EN 300-489-68 V1.5 (2010-09)
- EN 300-489-69 V1.5 (2010-09)
- EN 300-489-70 V1.5 (2010-09)
- EN 300-489-71 V1.5 (2010-09)
- EN 300-489-72 V1.5 (2010-09)
- EN 300-489-73 V1.5 (2010-09)
- EN 300-489-74 V1.5 (2010-09)
- EN 300-489-75 V1.5 (2010-09)
- EN 300-489-76 V1.5 (2010-09)
- EN 300-489-77 V1.5 (2010-09)
- EN 300-489-78 V1.5 (2010-09)
- EN 300-489-79 V1.5 (2010-09)
- EN 300-489-80 V1.5 (2010-09)
- EN 300-489-81 V1.5 (2010-09)
- EN 300-489-82 V1.5 (2010-09)
- EN 300-489-83 V1.5 (2010-09)
- EN 300-489-84 V1.5 (2010-09)
- EN 300-489-85 V1.5 (2010-09)
- EN 300-489-86 V1.5 (2010-09)
- EN 300-489-87 V1.5 (2010-09)
- EN 300-489-88 V1.5 (2010-09)
- EN 300-489-89 V1.5 (2010-09)
- EN 300-489-90 V1.5 (2010-09)
- EN 300-489-91 V1.5 (2010-09)
- EN 300-489-92 V1.5 (2010-09)
- EN 300-489-93 V1.5 (2010-09)
- EN 300-489-94 V1.5 (2010-09)
- EN 300-489-95 V1.5 (2010-09)
- EN 300-489-96 V1.5 (2010-09)
- EN 300-489-97 V1.5 (2010-09)
- EN 300-489-98 V1.5 (2010-09)
- EN 300-489-99 V1.5 (2010-09)
- EN 300-489-100 V1.5 (2010-09)

Directiva 2006/95/EC-LVD

- EN 60584:2013
- EN 60584:2006 A12: 2011
- EN 60584:2006 A2: 2013

Directiva 2009/125/EC-EP

- Regulation (EC) No. 2792/09
- Regulation (EU) No. 617/2013

Directiva 2011/65/EU-RoHS

- Regulation (EC) No. 1275/2008
- Regulation (EU) No. 617/2013

Regulamentul casa 2

Regulamentul casa 2

Ver. 15/16



(Insemnul de conformitate EU)

Semnatura
Jerry Shen
 Nume imprimat
CEO
 Pozitia

Taipei, Taiwan
 Local emitere
09/12/2012
 Data declaratiei initiale
28/12/2015
 Data declaratiei revizuite
2015
 Anul aplicarii Insemnului CE



EU Declaratio de Conformitate



Noi, ce abiazo asinaatino,

Nume: **ASUSTEK COMPUTERS INC.**
 Adresa: **4F, No. 150, LI-TE RD., PEITOU, TAIPEI 112, TAIWAN**
 Reprezentant autorizat in Europa: **ASUS COMPUTER GmbH**
 Adresa, Oraș: **HARKORT STR. 21-23, 40880 RATINGEN**
 Tara: **GERMANY**

declaramos que o seguinte produto:

Nome do Produto: **VivoMini**
 Modelo: **VC65R, VC65**

se encontra em conformidade com as exigencias essenciais das seguintes directivas:

EN 55022:2010/A2:2011

- EN 61000-3-2:2014
- EN 61000-3-3:2013
- EN 55022:2010/A1:2009
- EN 55022:2007/A1:2011

EN 55014:2013

- EN 60584:2013
- EN 60584:2006 A12: 2011
- EN 60584:2006 A2: 2013

EN 60584:2006 A12: 2011

EN 60584:2006 A2: 2013

EN 60584:2006 A2: 2013

EN 60584:2006 A2: 2013

EN 60584:2006 A2: 2013

EN 60584:2006 A2: 2013

EN 60584:2006 A2: 2013

EN 60584:2006 A2: 2013

EN 60584:2006 A2: 2013

EN 60584:2006 A2: 2013

EN 60584:2006 A2: 2013

EN 60584:2006 A2: 2013

EN 60584:2006 A2: 2013

EN 60584:2006 A2: 2013

EN 60584:2006 A2: 2013

EN 60584:2006 A2: 2013

EN 60584:2006 A2: 2013

EN 60584:2006 A2: 2013

EN 60584:2006 A2: 2013

EN 60584:2006 A2: 2013

EN 60584:2006 A2: 2013

EN 60584:2006 A2: 2013

EN 60584:2006 A2: 2013

EN 60584:2006 A2: 2013

EN 60584:2006 A2: 2013

EN 60584:2006 A2: 2013

EN 60584:2006 A2: 2013

EN 60584:2006 A2: 2013

EN 60584:2006 A2: 2013

EN 60584:2006 A2: 2013

EN 60584:2006 A2: 2013

EN 60584:2006 A2: 2013

EN 60584:2006 A2: 2013

Ver. 15/16



(Marca de Conformitate EU)

Assinatura
Jerry Shen
 Nome impresso
CEO
 Posiția

Taipei, Taiwan
 Local de emisiao
09/12/2012
 Data Original da Declaração
28/12/2015
 Data Corrigida da Declaração
2015
 Ano para comear a aposiçao da marca CE



EU Declaration of Conformity

We, the undersigned,

Manufacturer:	ASUSTEK COMPUTER INC.
Address:	4F, No. 150, LI-TE Rd., FEI-TOU, TAIPEI 112, TAIWAN
Authorized representative in Europe:	ASUS COMPUTER GmbH
Address: zby	HENCKERT STR. 21-23, 40889 RATINGEN
Country:	GERMANY

I declare the following apparatus:

Product name :	
Model name :	VivoMini
VC65R , VC65	

conform with the essential requirements of the following directives:

<input checked="" type="checkbox"/> 2014/108/EC-EMC Directive	<input checked="" type="checkbox"/> EN 55022:2010/AC:2011	<input checked="" type="checkbox"/> EN 55024:2010	<input checked="" type="checkbox"/> EN 55013:2001/A1:2003/A2:2006	<input checked="" type="checkbox"/> EN 55022:2007/A1:2011
<input checked="" type="checkbox"/> 1989/55/EC-R&TTE Directive	<input checked="" type="checkbox"/> EN 300 338 V1.8 (1/2012:06)	<input checked="" type="checkbox"/> EN 301 488-1 V1.9 (2/2011:09)	<input checked="" type="checkbox"/> EN 300 440-1 V1.6 (1/2010:08)	<input checked="" type="checkbox"/> EN 301 488-3 V1.6 (1/2010:12)

<input checked="" type="checkbox"/> 2006/95/EC-LVD Directive	<input checked="" type="checkbox"/> EN 60950-1:2006/A12:2011	<input checked="" type="checkbox"/> EN 60950-1:2006/A2:2013
<input checked="" type="checkbox"/> 2009/128/EC-EPT Directive	<input checked="" type="checkbox"/> Regulation (EU) No. 795/2009	<input checked="" type="checkbox"/> Regulation (EU) No. 817/2013
<input checked="" type="checkbox"/> 2011/65/EU-ROHS Directive	<input checked="" type="checkbox"/> CE marking	<input checked="" type="checkbox"/> Equipment Class:1

Signature		Taipei, Taiwan
Printed Name	Jerry Shen	Place of issue
CEO		09/12/2012
Position		Original Declaration Date
		28/12/2015
		Corrected Declaration Date
		2015
		Year to begin affixing CE marking

Ver. 1512/16



(EU conformity marking)

EU Uygünlük Beyanı

Biz, bu imza altındaki

Üretici:	ASUSTEK COMPUTER INC.
Adres, Şehir:	4F, No. 150, LI-TE Rd., FEI-TOU, TAIPEI 112, TAIWAN
Avrupa'daki temsilci:	ASUS COMPUTER GmbH
Ülke, Şehir:	HENCKERT STR. 21-23, 40889 RATINGEN
Ülke:	ALMANYA


Aşağıdaki ürünü:

Ürün adı :	
VivoMini	
VC65R , VC65	

Anahtarı direktiflerin gerekliliklerine uyduğunu deklare eder:

<input checked="" type="checkbox"/> 2014/108/EC-EMC Direktif	<input checked="" type="checkbox"/> EN 55022:2010/AC:2011	<input checked="" type="checkbox"/> EN 55024:2010	<input checked="" type="checkbox"/> EN 55013:2001/A1:2003/A2:2006	<input checked="" type="checkbox"/> EN 55022:2007/A1:2011
<input checked="" type="checkbox"/> 1989/55/EC-R&TTE Direktif	<input checked="" type="checkbox"/> EN 300 338 V1.8 (1/2012:06)	<input checked="" type="checkbox"/> EN 301 488-1 V1.9 (2/2011:09)	<input checked="" type="checkbox"/> EN 300 440-1 V1.6 (1/2010:08)	<input checked="" type="checkbox"/> EN 301 488-3 V1.6 (1/2010:12)

<input checked="" type="checkbox"/> 2006/95/EC-LVD Direktif	<input checked="" type="checkbox"/> EN 60950-1:2006/A12:2011	<input checked="" type="checkbox"/> EN 60950-1:2006/A2:2013
<input checked="" type="checkbox"/> 2009/128/EC-EPT Direktif	<input checked="" type="checkbox"/> Regulation (EU) No. 795/2009	<input checked="" type="checkbox"/> Regulation (EU) No. 817/2013
<input checked="" type="checkbox"/> 2011/65/EU-ROHS Direktif	<input checked="" type="checkbox"/> CE İşareti	<input checked="" type="checkbox"/> Ekipman Sınıfı: 2

İmza		Taipei, Taiwan
Jerry Shen		Surum yeri
Basılı Ad		09/12/2012
CEO		Original Deklerasyon Tarihi
Position		28/12/2015
		Düzeltilmiş Deklerasyon Tarihi
		2015
		CE İşaretinin Eklendiği Yılı

Ver. 1512/16



(EU uygünlük İşareti)

EU Declaration of Conformity



Nós, os abaixo assinados,

Fabricante:	ASUSTEK COMPUTER INC.
Endereço:	4F, No. 150, LITE RD., PEITOU, TAIPEI 112, TAIWAN
Representante autorizado em Europa:	ASUS COMPUTER GmbH
Endereço, cidade:	HARKORT STR. 21-23, 40880 RATINGEN
País:	GERMANY

declaramos que o seguinte produto:

Nome do Produto :	VivoMini
Modelo :	VC65R , VC65

se encontra em conformidade com as originais essenciais das seguintes diretivas:

- 2004/108/EC-EMC Directiva
- EN 55022:2010/AC:2011
- EN 55024:2010
- EN 60950-1:2006/A12:2011
- EN 60950-2:2007/A11:2011
- 1999/5/EC-R&TTE Directiva
- EN 300 328 V1.6 (1/2012-06)
- EN 300 440-V1.6 (1/2010-08)
- EN 300 511 V6.0 (2/2003-05)
- EN 300 518 V2.1 (2013-12)
- EN 301 488-1 V1.3 (1/2005-11)
- EN 301 488-2 V2.1 (2013-12)
- EN 301 885 V2.1 (2013-10)
- EN 301 885-1 V1.5 (1/2012-09)
- EN 301 885-2 V1.5 (1/2012-09)
- EN 301 888-13 V6.2 (1/2014-02)
- EN 301 888-13 V6.2 (1/2014-02)
- EN 300 330-2 V1.5 (1/2010-02)
- EN 300 330-2 V1.5 (1/2010-02)
- EN 60950-1:2006/A12:2011
- EN 60950-2:2007
- EN 62311:2008
- EN 50983-2:2002

- 2006/95/EC-LVD Directiva
- EN 60950-1:2006/A12:2011
- EN 60950-2:2007
- EN 60950-2:2002/A12:2011

- 2006/42/EC-EP Directiva
- Regulation (EC) No. 216/2008
- Regulation (EC) No. 1275/2008
- Regulation (EU) No. 642/2013

- 2011/65/EU-RoHS Directiva
- Regulation (EC) No. 642/2008
- Regulation (EU) No. 642/2013

Marcação CE

Substituto de Classe 1

Ver 151216



(Marca de Conformidade EU)

Jerry Shen

Assinatura	Taipei, Taiwan
Jerry Shen	Local de emissão
Nome impresso	09/12/2012
CEO	Data Original da Declaração
Posição	28/12/2015
	Data Corrigida da Declaração
	2015

Ano para começar a aplicação de marca CE

Nosotros, los abajo firmantes,

Fabricante:	ASUSTEK COMPUTER INC.
Dirección:	4F, No. 150, LITE RD., PEITOU, TAIPEI 112, TAIWAN
Representante autorizado en Europa:	ASUS COMPUTER GmbH
Dirección, ciudad:	HARKORT STR. 21-23, 40880 RATINGEN
País:	ALEMANIA

declara los siguientes aparatos:

Nombre del producto :	VivoMini
Nombre del modelo :	VC65R , VC65

conforme a los requisitos esenciales de las siguientes directivas:

- EN 55022:2010/AC:2011
- EN 55024:2010
- EN 60950-1:2006/A12:2011
- EN 60950-2:2007
- EN 60950-2:2002/A12:2011
- Directiva 1999/5/EC-R&TTE
- EN 300 328 V1.6 (1/2012-06)
- EN 300 440-V1.6 (1/2010-08)
- EN 300 511 V6.0 (2/2003-05)
- EN 300 518 V2.1 (2013-12)
- EN 301 488-1 V1.3 (1/2005-11)
- EN 301 488-2 V2.1 (2013-12)
- EN 301 885 V2.1 (2013-10)
- EN 301 885-1 V1.5 (1/2012-09)
- EN 301 885-2 V1.5 (1/2012-09)
- EN 301 888-13 V6.2 (1/2014-02)
- EN 301 888-13 V6.2 (1/2014-02)
- EN 300 330-2 V1.5 (1/2010-02)
- EN 300 330-2 V1.5 (1/2010-02)
- EN 60950-1:2006/A12:2011
- EN 60950-2:2007
- EN 62311:2008
- EN 50983-2:2002

- Directiva 2006/95/EC-LVD
- EN 60950-1:2006/A12:2011
- EN 60950-2:2007
- EN 60950-2:2002/A12:2011

- Directiva 2006/42/EC-EP
- Regulation (EC) No. 216/2008
- Regulation (EC) No. 1275/2008
- Regulation (EU) No. 642/2013

- Directiva 2011/65/EU-RoHS
- Regulation (EC) No. 642/2008
- Regulation (EU) No. 642/2013

Marcação CE

Substituto de classe 1

Ver 151216



(marca de conformidad EU)

Jerry Shen

Firma	Taipei, Taiwan
Jerry Shen	Lugar de emisión
Nombre (con letra de imprenta)	09/12/2012
CEO	Fecha original de declaración
Posición	28/12/2015
	Fecha corregida de declaración
	2015

Año de inicio del establecimiento de la marca CE

EU Uygunluk Beyanı

Biz, bu imza altındaki lar:

Üretici: ASUS TEK. COMPUTER INC.
Adres, Şehir: #F, No: 195, LITE (K2) PERIOD, TAIPEI 112, TAIWAN
Adres, Şehir, Ülke: HARGOFT STR. 21-23, 04880 RATINGEN ALMANYA
Ülke: ALMANYA

Asağıdaki ürünün:

Ürün adı: VivoMini
Model adı: VC65R, VC65

Asağıdaki direktiflerin gereklerini tamamen uyguladığını deklare ederiz:

2002/95/EC-EMC Direktifi
 EN 55013:2001+A1:2003/A2:2006
 EN 55014:2001+A1:2003/A2:2006
 EN 61000-3-2:2014
 EN 61000-3-3:2013
 EN 55020:2007/A11:2011


2011/65/EC-ROHS Direktifi
 EN 300 326 V1.5 (12010-08)
 EN 300 345 V1.5 (12010-08)
 EN 300 440-2 V1.4 (12010-08)
 EN 301 488-4 V2.1 (2013-12)
 EN 301 488-4 V2.1 (2013-12)
 EN 301 505-1 V2.2 (2013-04)
 EN 301 898-2 V6.2 (2013-10)
 EN 301 898-17 V2.2 (2012-09)
 EN 301 893 V1.7 (12010-08)
 EN 300 330-2 V1.5 (12010-02)
 EN 302 291-5 V1.1 (10095-07)
 EN 62476:2010
 EN 62511:2008
 EN 5585:2002

2009/127/EC-EMC-RED Direktifi
 EN 60065:2002 / A12: 2011
 EN 60950-1: 2006 / A2: 2013

2009/128/EC-CEP Direktifi
 Regulation (EC) No. 1275/2008
 Regulation (EU) No. 617/2013

2011/65/EC-ROHS Direktifi
 EN 300 326 V1.5 (12010-08)
 EN 300 345 V1.5 (12010-08)
 EN 300 440-2 V1.4 (12010-08)
 EN 301 488-4 V2.1 (2013-12)
 EN 301 488-4 V2.1 (2013-12)
 EN 301 505-1 V2.2 (2013-04)
 EN 301 898-2 V6.2 (2013-10)
 EN 301 898-17 V2.2 (2012-09)
 EN 301 893 V1.7 (12010-08)
 EN 300 330-2 V1.5 (12010-02)
 EN 302 291-5 V1.1 (10095-07)
 EN 62476:2010
 EN 62511:2008
 EN 5585:2002

CE İşareti
 Ekimant Sınıfı 1

İmza  **Taipei, Taiwan**

Sürüm yeri **09/12/2012**

Original Deklarasyon Tarihi **28/12/2015**

CEO **Ad** **Düzeltilmiş Deklarasyon Tarihi** **2015**

Posizyon **CE İşaretinin Eklendiği Yıl**



(EU uygunkluk işareti)

Semâtlura **Taipei, Taiwan**

Jerry Shen **09/12/2012**

Numre imprimat **Data declarajiei inițiale** **28/12/2015**

CEO **Data declarajiei revizuite** **2015**

Posizlia **Anul aplicajii insemnului CE**



(Insemnul de conformitate EU)

EU Declaratie de Conformitate

Noi, subsemnatii,

Producator: ASUS TEK. COMPUTER INC.
Adresa, Şehir: #F, No: 195, LITE (K2) PERIOD, TAIPEI 112, TAIWAN
Adresa, Şehir, Ūlke: HARGOFT STR. 21-23, 04880 RATINGEN ALMANYA
Ūlke: ALMANYA

declaram că următorul aparat:

Nume produs: VivoMini
Nume model: VC65R, VC65

este conform cu conținutele esențiale ale următoarelor directive:

2002/95/EC-EMC
 EN 55013:2001+A1:2003/A2:2006
 EN 55014:2001+A1:2003/A2:2006
 EN 61000-3-2:2014
 EN 61000-3-3:2013
 EN 55020:2007/A11:2011


2011/65/EC-ROHS
 EN 300 326 V1.5 (12010-08)
 EN 300 345 V1.5 (12010-08)
 EN 300 440-2 V1.4 (12010-08)
 EN 301 488-4 V2.1 (2013-12)
 EN 301 488-4 V2.1 (2013-12)
 EN 301 505-1 V2.2 (2013-04)
 EN 301 898-2 V6.2 (2013-10)
 EN 301 898-17 V2.2 (2012-09)
 EN 301 893 V1.7 (12010-08)
 EN 300 330-2 V1.5 (12010-02)
 EN 302 291-5 V1.1 (10095-07)
 EN 62476:2010
 EN 62511:2008
 EN 5585:2002

2009/127/EC-EMC-RED
 EN 60065:2002 / A12: 2011
 EN 60950-1: 2006 / A2: 2013

2009/128/EC-CEP
 Regulation (EC) No. 1275/2008
 Regulation (EU) No. 617/2013

2011/65/EC-ROHS
 EN 300 326 V1.5 (12010-08)
 EN 300 345 V1.5 (12010-08)
 EN 300 440-2 V1.4 (12010-08)
 EN 301 488-4 V2.1 (2013-12)
 EN 301 488-4 V2.1 (2013-12)
 EN 301 505-1 V2.2 (2013-04)
 EN 301 898-2 V6.2 (2013-10)
 EN 301 898-17 V2.2 (2012-09)
 EN 301 893 V1.7 (12010-08)
 EN 300 330-2 V1.5 (12010-02)
 EN 302 291-5 V1.1 (10095-07)
 EN 62476:2010
 EN 62511:2008
 EN 5585:2002

CE İşareti
 Ekimant Sınıfı 1

İmza  **Taipei, Taiwan**

Sürüm emilieri **09/12/2012**

Data declarajiei inițiale **28/12/2015**

Data declarajiei revizuite **2015**

Anul aplicajii insemnului CE



(Insemnul de conformitate EU)

Semâtlura **Taipei, Taiwan**

Jerry Shen **09/12/2012**

Numre imprimat **Data declarajiei inițiale** **28/12/2015**

CEO **Data declarajiei revizuite** **2015**

Posizlia **Anul aplicajii insemnului CE**



(EU uygunkluk işareti)

Semâtlura **Taipei, Taiwan**

Jerry Shen **09/12/2012**

Numre imprimat **Data declarajiei inițiale** **28/12/2015**

CEO **Data declarajiei revizuite** **2015**

Posizlia **Anul aplicajii insemnului CE**

DECLARATION OF CONFORMITY

Per FCC Part 2 Section 2. 1077(a)



Responsible Party Name: **Asus Computer International**

Address: **800 Corporate Way, Fremont, CA 94539.**

Phone/Fax No: **(510)739-3777/(510)608-4555**

hereby declares that the product

Product Name : **VivoMini**

Model Number : **VC65R , VC65**

Conforms to the following specifications:

FCC Part 15, Subpart B, Unintentional Radiators

Supplementary Information:

This device complies with part 15 of the FCC Rules. Operation is subject to the following two conditions: (1) This device may not cause harmful interference, and (2) this device must accept any interference received, including interference that may cause undesired operation.

Representative Person's Name : Steve Chang / President

A handwritten signature in blue ink that reads "Steve Chang". The signature is written in a cursive style and is placed over a light blue rectangular background.

Signature :

Original Declaration Date : Dec. 09, 2015

Corrected Declaration Date : Dec. 28, 2015

Ver. 140331