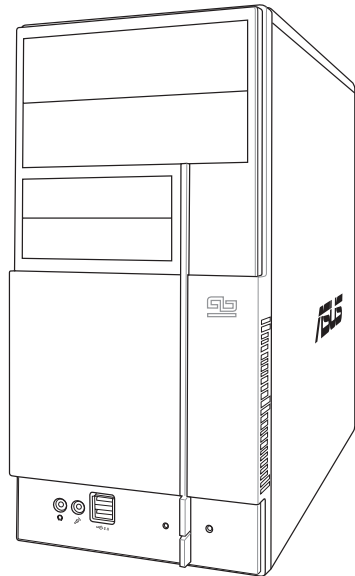


ASUS[®]

V-Series M2V890

ASUS PC (Desktop Barebone)

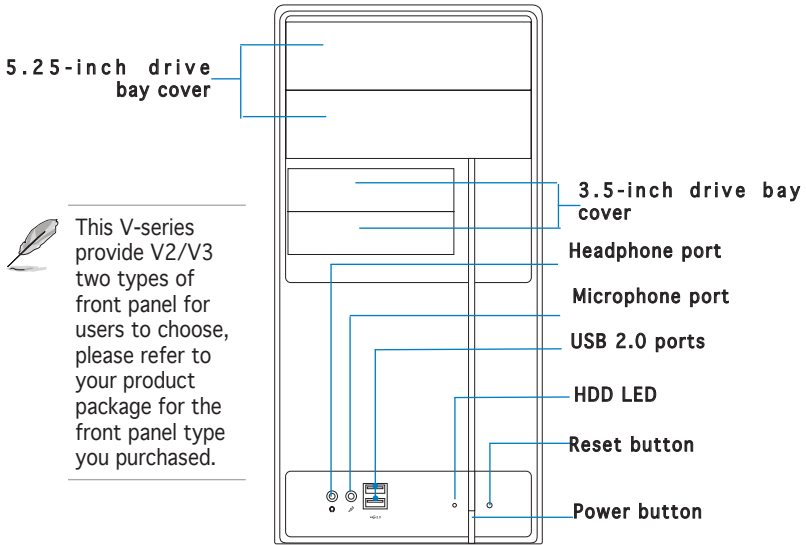
Quick Installation Guide



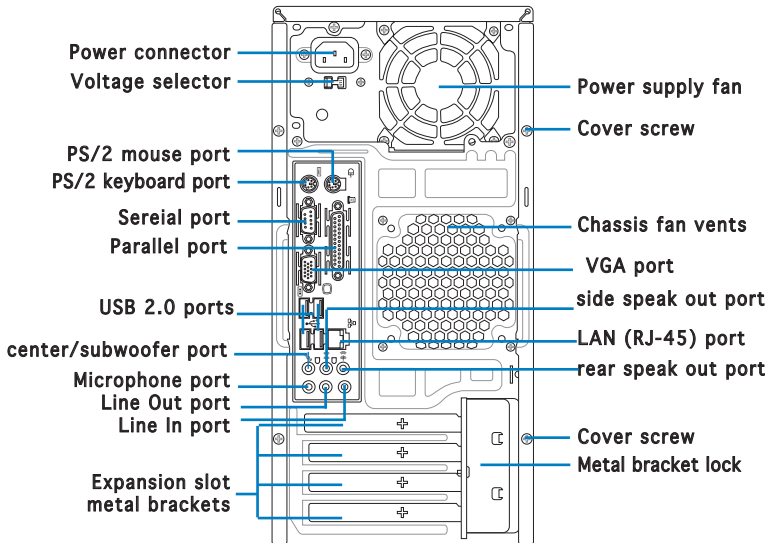


Refer to the system user guide for installation details and other system information from ASUS website.

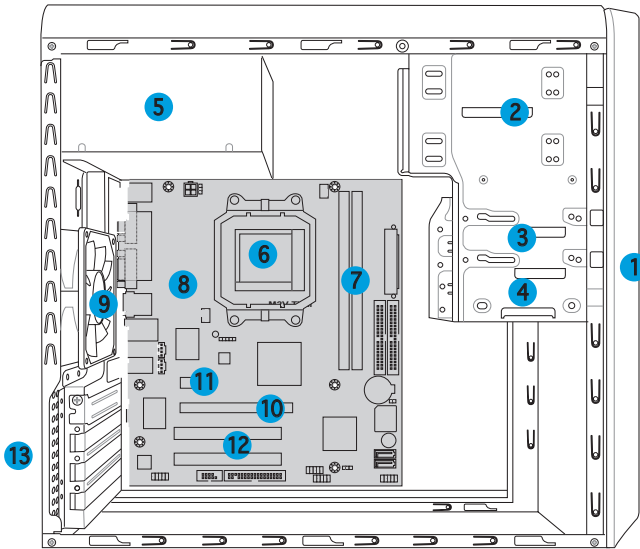
Front panel features



Rear panel features



Internal components



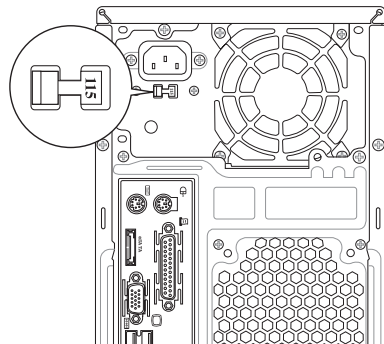
1. Front panel cover
2. 5.25-inch optical drive bays
3. Hard disk drive bay
4. Floppy disk drive bay
5. Power supply unit
6. CPU socket
7. DIMM sockets
8. ASUS motherboard
9. Chassis fan
10. PCI Express x16 slot
11. PCI Express x1 slot
12. PCI slots
13. Metal bracket lock

Selecting the voltage

The system's power supply unit has a 115 V/230 V voltage selector switch located beside the power connector. Use this switch to select the appropriate system input voltage according to the voltage supply in your area.

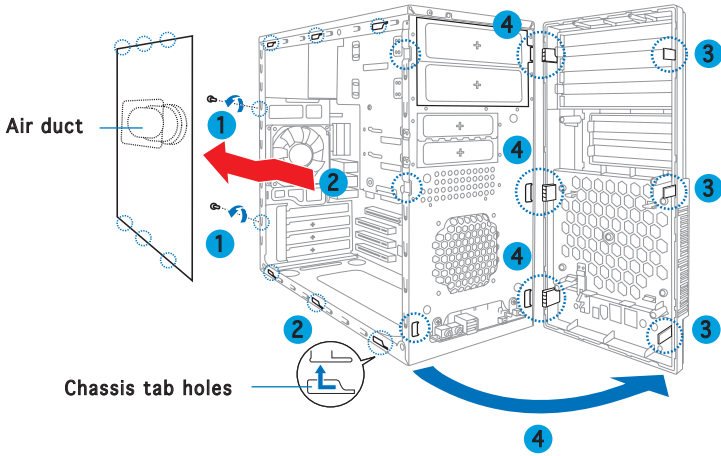
If the voltage supply in your area is 100-127 V, set the switch to 115 V.

If the voltage supply in your area is 200-240 V, set the switch to 230 V.



Removing the side cover and front panel assembly

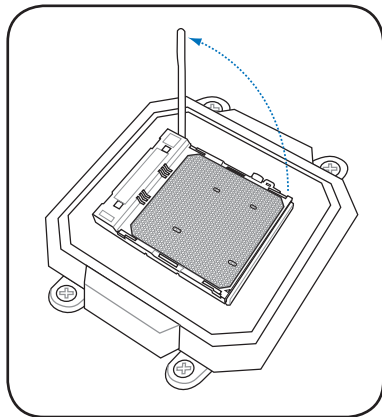
1. Remove the cover screws on the rear panel.
2. Pull the side cover toward the rear panel until its hooks disengage from the chassis tabs. Set the side cover aside.
3. Locate the front panel assembly hooks, then lift them until they disengage from the chassis.
4. Swing the front panel assembly to the right, until the hinge-like tabs on the right side of the assembly are exposed.
5. Remove the front panel assembly, then set aside.



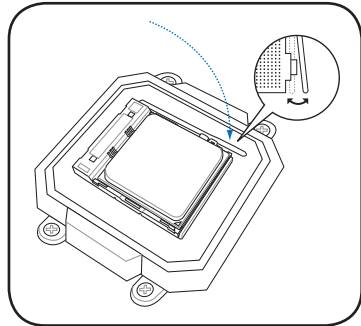
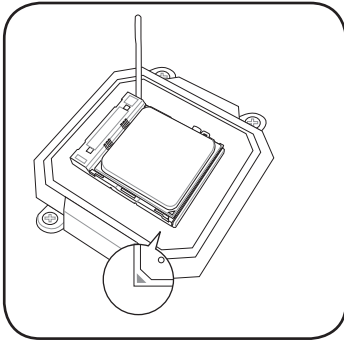
Installing a CPU

To install a CPU:

1. Locate the CPU socket, then lift the socket lever to a 90°-100° angle.

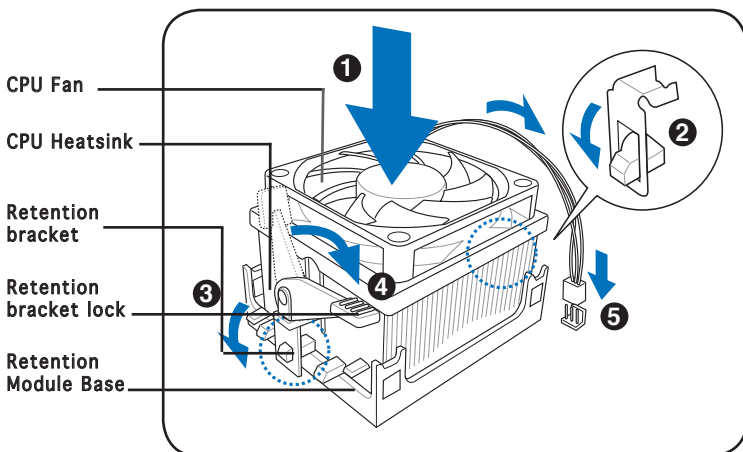


2. Install the CPU to the socket, making sure that the CPU corner with the gold triangle matches the socket corner with a small triangle.
3. Push down the socket lever to secure the CPU.



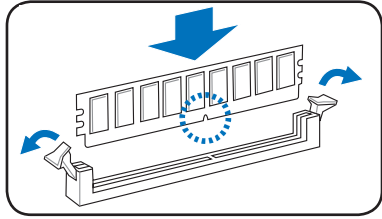
Installing the CPU fan and heatsink assembly

1. Place the heatsink on top of the installed CPU, making sure that the heatsink fits properly on the retention module base.
2. Attach one end of the retention bracket to the retention module base.
3. Align the other end of the retention bracket (near the retention bracket lock) to the retention module base. A clicking sound denotes that the retention bracket is in place.
4. Push down the retention bracket lock on the retention mechanism to secure the heatsink and fan to the module base.
5. When the fan and heatsink assembly is in place, connect the CPU fan cable to the connector on the motherboard labeled CPU_FAN.



Installing a DIMM

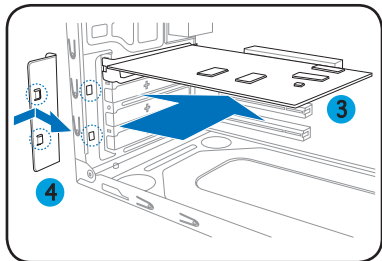
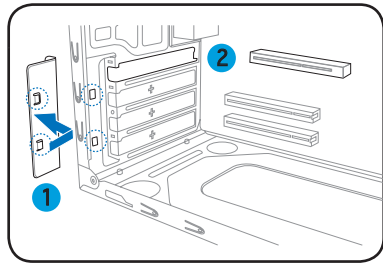
1. Locate the DIMM sockets in the motherboard.
2. Unlock a DIMM socket by pressing the retaining clips outward.
3. Align a DIMM on the socket such that the notch on the DIMM matches the break on the socket.
4. Push the DIMM to the socket until the retaining clips snap inward.



- Unplug the power supply before adding or removing DIMMs. Failure to do so may cause damage to the motherboard and/or components.
- A DDR2 DIMM is keyed with a notch so that it fits in only one direction. Do not force a DIMM into a socket to avoid damaging the DIMM.

Installing an expansion card

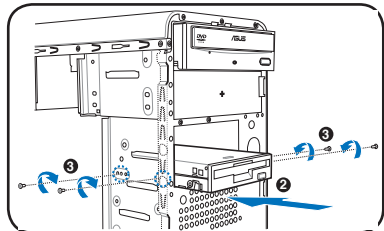
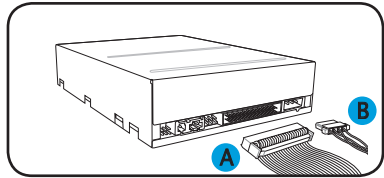
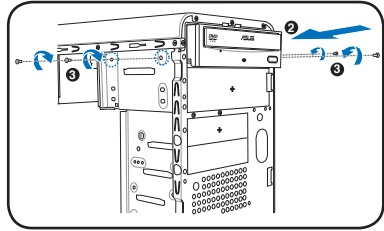
1. Remove the metal bracket lock.
2. Remove the metal cover opposite the slot that you intend to use.
3. Insert the card connector to the slot, then press the card firmly until it fits in place.
4. Replace the metal bracket lock.



Installing storage drives

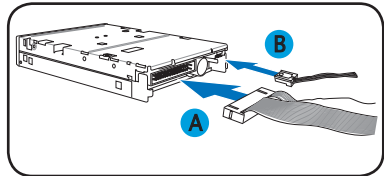
Optical drive

1. Place the chassis upright, then remove the upper 5.25" drive bay metal plate cover.
2. Insert the optical drive to the bay, then carefully push the drive until its screw holes align with the holes on the bay.
3. Secure the optical drive with two screws on both sides of the bay.
4. Connect the IDE (A) and power (B) plugs to connectors at the back of the drive.



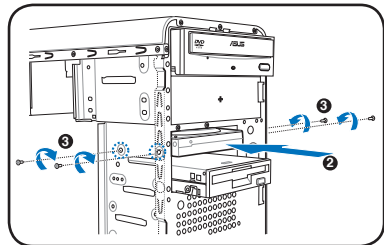
Floppy disk drive

1. Place the chassis upright, then remove the lower 3.5" drive bay metal plate cover.
2. Insert the floppy disk drive to the bay, then carefully push the drive until its screw holes align with the holes on the bay.
3. Secure the floppy disk drive with two screws on both sides of the bay.
4. Connect the signal (A) and power (B) plugs to connectors at the back of the drive.



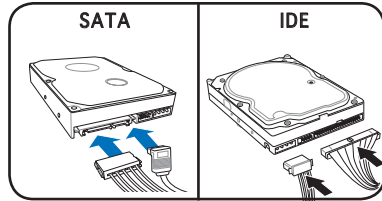
Hard disk drive

1. Place the chassis upright, then remove the upper 3.5" drive bay metal plate cover.
2. Insert the hard disk drive to the bay, then carefully push the drive until its screw holes align with the holes on the bay.
3. Secure the hard disk drive with two screws on both sides of the bay.



4. **For SATA HDD:** Connect the SATA signal and power plugs to the connectors at the back of the drive.

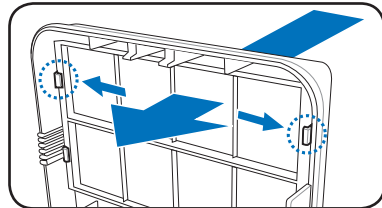
For IDE HDD: Connect the IDE signal and power plugs to the connectors at the back of the drive.



Removing the bay covers and reinstalling the front panel assembly and side cover

If you installed an optical and/or floppy disk drive, remove the bay cover(s) on the front panel assembly before reinstalling it to the chassis. To do this:

1. Locate the bay cover locks.
2. Press the locks outward to release the bay cover.
3. Push the bay cover inward, then set it aside.
4. Follow the same instructions to remove the 3.5" drive bay cover.



To reinstall the front panel assembly and side cover:

1. Insert the front panel assembly hinge-like tabs to the holes on the right side of the chassis.
2. Swing the front panel assembly to the left, then insert the hooks to the chassis until the front panel assembly fits in place.
3. Insert the side cover hooks to the chassis top and bottom holes.
4. Push the side cover to the direction of the front panel until it fits in place.
5. Secure the cover with two screws you removed earlier.

